

TASE30-XL-N

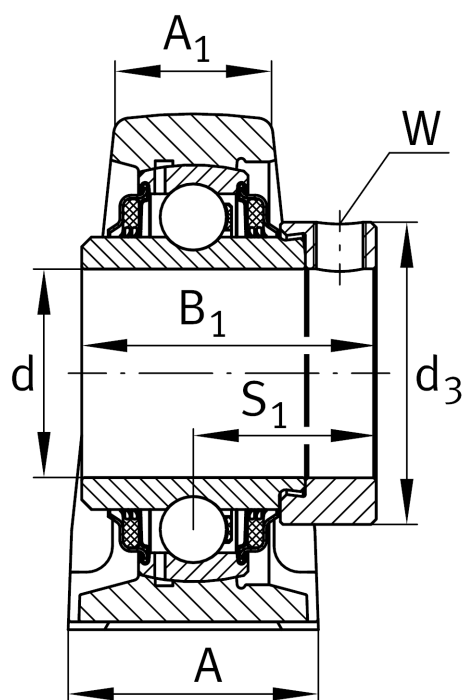
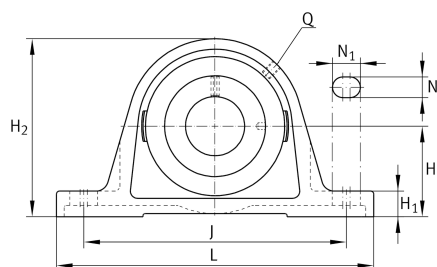
Plummer block housing unit

Schaeffler ID:
0008567460000

Plummer block housing units TASE, cast iron housing, radial insert ball bearing with eccentric locking collar, T seals

X-life

Technical information



Main Dimensions & Performance Data

d	30 mm	Bore diameter
L	158 mm	Length total
H ₂	82 mm	Height
	1,2 kg	Weight

Dimensions

H	42,9 mm	Distance shaft axis
A	40 mm	Width (base)
A ₁	25 mm	Width (head)
H ₁	17 mm	Height (base)
Q	Rp1/8	Connection thread lubrication

Mounting dimensions

J	117,5 mm	Distance fixing bore
N	14 mm	Width (slot)
N ₁	22 mm	Length (slot)

Additional information

ASE06	Housing
GE30-XL-KTT-B	Bearing designation
KASK06	Protecting cap