

## TASE45-XL

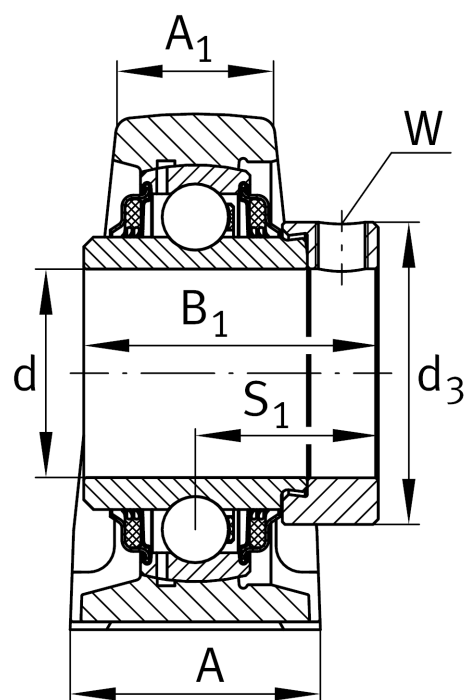
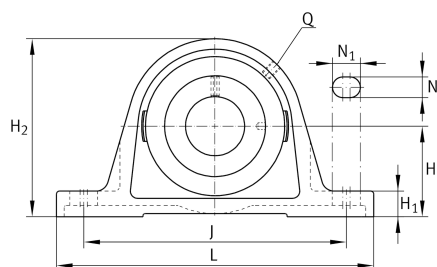
Plummer block housing unit

Schaeffler ID:  
0008568190000

Plummer block housing units TASE, cast iron housing, radial insert ball bearing with eccentric locking collar, T seals

X-life

### Technical information



### Main Dimensions & Performance Data

d	45 mm	Bore diameter
L	192 mm	Length total
H <sub>2</sub>	107 mm	Height
	2,28 kg	Weight

### Dimensions

H	54 mm	Distance shaft axis
	ASE09	Housing
	GE45-XL-KTT-B	Bearing designation
A	48 mm	Width (base)
A <sub>1</sub>	32 mm	Width (head)
H <sub>1</sub>	21,5 mm	Height (base)
B <sub>1</sub>	56,5 mm	Locking collar total width
S <sub>1</sub>	35,1 mm	Distance of raceway to locking collar
Q	M6	Connection thread lubrication

### Mounting dimensions

J	149,65 mm	Distance fixing bore
N	14 mm	Width (slot)
N <sub>1</sub>	29 mm	Length (slot)