



## ★ TASE50-XL-N

Plummer block housing unit

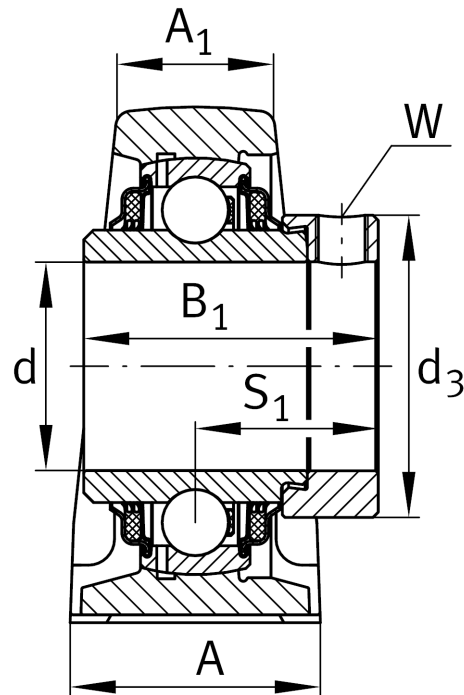
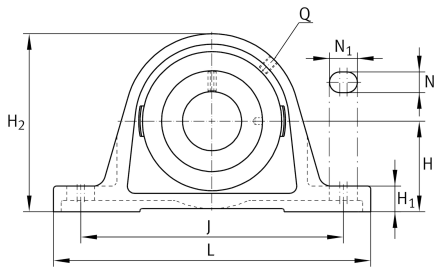
Schaeffler ID:  
0008568350000

★ Preferred product

Plummer block housing units TASE, cast iron housing, radial insert ball bearing with eccentric locking collar, T seals

X-life

### Technical information



### Main Dimensions & Performance Data

d	50 mm	Bore diameter
L	200 mm	Length total
H <sub>2</sub>	115 mm	Height
	2,8 kg	Weight

### Dimensions

H	57,2 mm	Distance shaft axis
A	54 mm	Width (base)
A <sub>1</sub>	34 mm	Width (head)
H <sub>1</sub>	21,5 mm	Height (base)
Q	Rp1/8	Connection thread lubrication

### Mounting dimensions

J	158 mm	Distance fixing bore
N	18 mm	Width (slot)
N <sub>1</sub>	23 mm	Length (slot)

### Additional information

ASE10	Housing
GE50-XL-KTT-B	Bearing designation
KASK10	Protecting cap