



## PHE40-XL

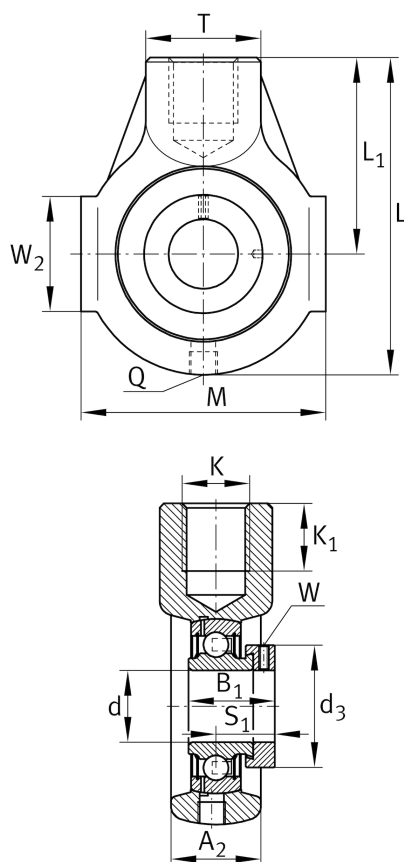
### Take-up housing unit

Schaeffler ID:  
0008408310000

Take-up housing units PHE, cast iron housing, radial insert ball bearing with eccentric locking collar, P seals

X-life

### Technical information



### Main Dimensions & Performance Data

d	40 mm	Bore diameter
L	135 mm	Length total
M	100 mm	Housing total width
A <sub>2</sub>	36 mm	Width housing
	1,59 kg	Weight

### Dimensions

L <sub>1</sub>	85 mm	Distance shaft axis
	HE08	Housing
	GRAE40-XL-NPP-B	Bearing designation
T	40 mm	Height housing fixing side
W	45 mm	Length of guidance face
Q	M6	Connection thread lubrication

### Mounting dimensions

K	M24	Thread fixing bore
K <sub>1</sub>	24 mm	Thread depth