



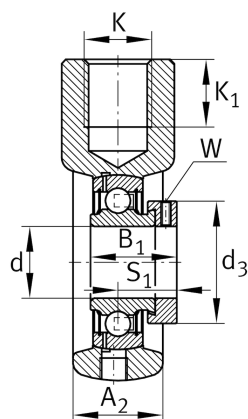
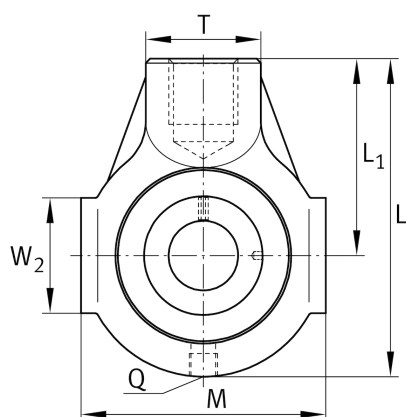
## PHE30-TV-FA125.5

Take-up housing unit

Schaeffler ID:  
0574651260000

Take-up housing unit PHE..-TV, RIBB  
plastic

### Technical information



### Main Dimensions & Performance Data

|   |         |                     |
|---|---------|---------------------|
| d | 30 mm   | Bore diameter       |
| L | 125 mm  | Length              |
| M | 90 mm   | Housing total width |
|   | 0,69 kg | Weight              |

### Dimensions

|                |                |                                 |
|----------------|----------------|---------------------------------|
| T              | 40 mm          | Height (housing, mounting side) |
|                | HE06-TV        | Housing                         |
|                | GRAE30-NPP-B-  | Bearing designation             |
|                | FA107/125.5    |                                 |
| A <sub>2</sub> | 34,5 mm        | Width housing                   |
|                | KASK06-S-G     | End cap                         |
|                | KASK06-S-R-NBR | Open protecting cap             |

### Mounting dimensions

|                |            |                               |
|----------------|------------|-------------------------------|
| L <sub>1</sub> | 76 mm      | Distance shaft axis           |
| L <sub>3</sub> | 63 mm      | Length guidance grooves       |
| K              | M16        | Thread fixing bore            |
| Q              | 1/4-28 UNF | Connection thread lubrication |