



## PTUE55-XL

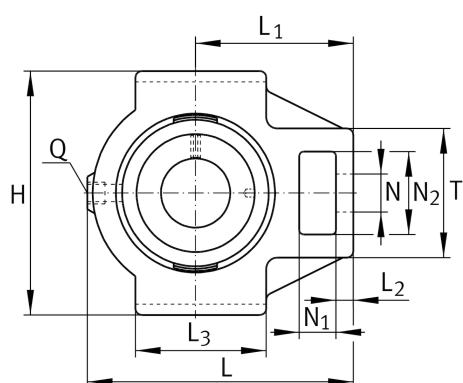
Take-up housing unit

Schaeffler ID:  
0009829110000

Take-up housing units PTUE, cast iron housing, radial insert ball bearing with eccentric locking collar, P seals

X-life

### Technical information



### Main Dimensions & Performance Data

d	55 mm	Bore diameter
H	145 mm	Height
L	169 mm	Length total
	4,01 kg	Weight

### Dimensions

L <sub>1</sub>	104 mm	Distance shaft axis
	TUE11	Housing
	GRAE55-XL-NPP-B	Bearing designation
L <sub>2</sub>	17 mm	Length fixed link
L <sub>3</sub>	95 mm	Length guidance groove
A	60 mm	Width housing fixing side
N <sub>1</sub>	26 mm	Width recess
N <sub>2</sub>	63,5 mm	Height recess
T	102 mm	Height housing fixing side
Q	M6	Connection thread lubrication
A <sub>2</sub>	42 mm	Width housing

### Mounting dimensions

A <sub>1</sub>	22 mm	Width guidance groove
	H13	Width guidance groove clearance
H <sub>1</sub>	130 mm	Distance guidance grooves
	0,15 mm	Upper distance guidance groove tolerance
	-0,15 mm	Lower distance guidance groove tolerance
N	35 mm	Fixing bore

