



## RTUE20-XL

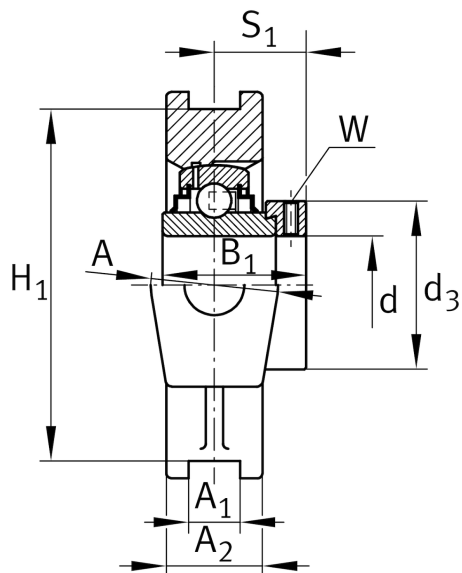
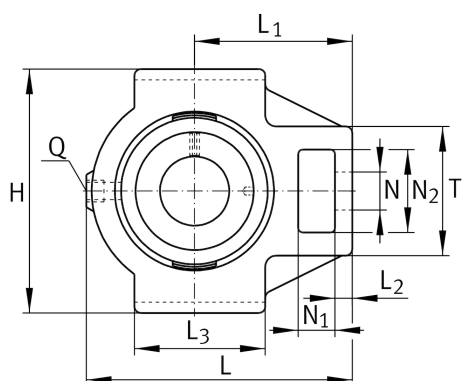
Take-up housing unit

Schaeffler ID:  
0008274870000

Take-up housing units RTUE, cast iron housing, radial insert ball bearing with eccentric locking collar, R seals

X-life

### Technical information



### Main Dimensions & Performance Data

d	20 mm	Bore diameter
H	90 mm	Height
L	94,5 mm	Length total
	0,9 kg	Weight

### Dimensions

L <sub>1</sub>	60 mm	Distance shaft axis
	TUE04	Housing
	GE20-XL-KRR-B	Bearing designation
L <sub>2</sub>	9 mm	Length fixed link
L <sub>3</sub>	50 mm	Length guidance groove
A	37 mm	Width housing fixing side
N <sub>1</sub>	18 mm	Width recess
N <sub>2</sub>	32 mm	Height recess
T	51 mm	Height housing fixing side
Q	Rp1/8	Connection thread lubrication
A <sub>2</sub>	25 mm	Width housing

### Mounting dimensions

A <sub>1</sub>	12 mm	Width guidance groove
	H13	Width guidance groove clearance
H <sub>1</sub>	76 mm	Distance guidance grooves
	0,15 mm	Upper distance guidance groove tolerance
	-0,15 mm	Lower distance guidance groove tolerance
N	19 mm	Fixing bore