



★ RTUE25-XL

Take-up housing unit

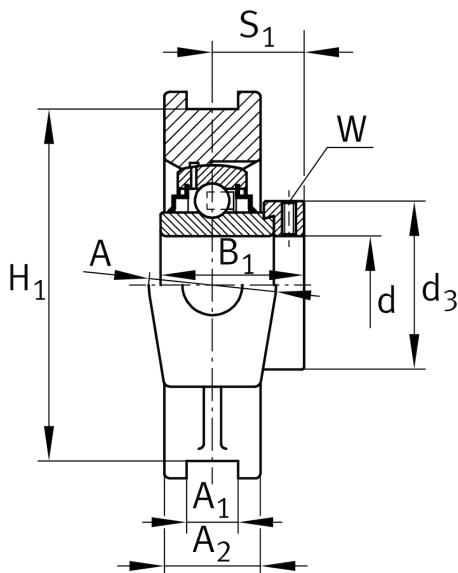
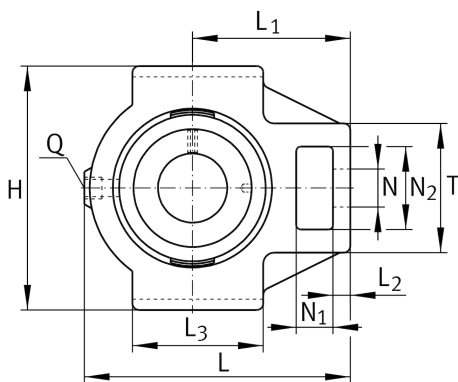
Schaeffler ID:
0008274950000

★ Preferred product

Take-up housing units RTUE, cast iron housing, radial insert ball bearing with eccentric locking collar, R seals

X-life

Technical information



Main Dimensions & Performance Data

d	25 mm	Bore diameter
H	90 mm	Height
L	98,5 mm	Length total
	0,9 kg	Weight

Dimensions

L ₁	62 mm	Distance shaft axis
L ₂	10 mm	Length fixed link
L ₃	50 mm	Length guidance groove
A	37 mm	Width housing fixing side
N ₁	18 mm	Width recess
N ₂	32 mm	Height recess
T	51 mm	Height housing fixing side
Q	M6	Connection thread lubrication
A ₂	25 mm	Width housing

Mounting dimensions

A ₁	12 mm	Width guidance groove
	H13	Width guidance groove clearance
H ₁	76 mm	Distance guidance grooves
	0,15 mm	Upper distance guidance groove tolerance
	-0,15 mm	Lower distance guidance groove tolerance
N	19 mm	Fixing bore

Additional information

TUE05	Housing
GE25-XL-KRR-B	Bearing designation