



RTUE30-XL

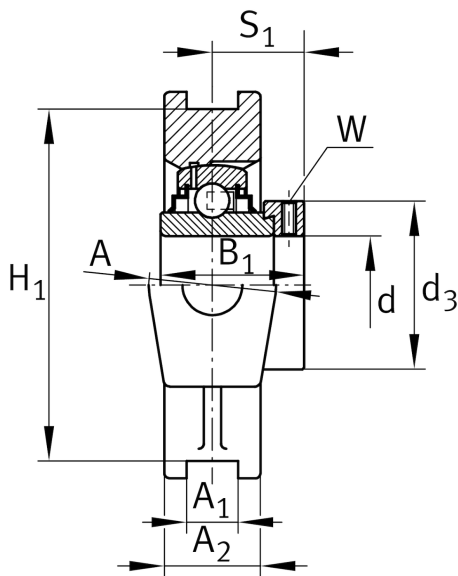
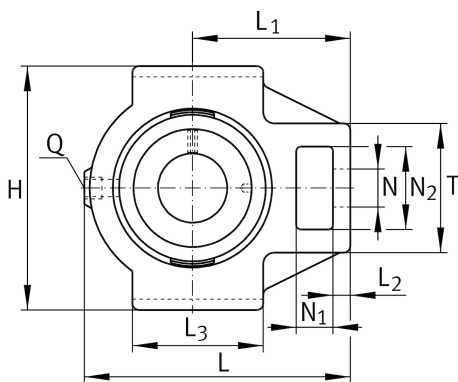
Take-up housing unit

Schaeffler ID:
0008275090000

Take-up housing units RTUE, cast iron housing, radial insert ball bearing with eccentric locking collar, R seals

X-life

Technical information



Main Dimensions & Performance Data

| | | |
|---|----------|---------------|
| d | 30 mm | Bore diameter |
| H | 102 mm | Height |
| L | 114,5 mm | Length total |
| | 1,25 kg | Weight |

Dimensions

| | | |
|----------------|---------|-------------------------------|
| L ₁ | 70 mm | Distance shaft axis |
| L ₂ | 10 mm | Length fixed link |
| L ₃ | 57 mm | Length guidance groove |
| A | 37 mm | Width housing fixing side |
| N ₁ | 18 mm | Width recess |
| N ₂ | 36,5 mm | Height recess |
| T | 56 mm | Height housing fixing side |
| Q | Rp1/8 | Connection thread lubrication |
| A ₂ | 25 mm | Width housing |

Mounting dimensions

| | | |
|----------------|----------|--|
| A ₁ | 12 mm | Width guidance groove |
| | H13 | Width guidance groove clearance |
| H ₁ | 89 mm | Distance guidance grooves |
| | 0,15 mm | Upper distance guidance groove tolerance |
| | -0,15 mm | Lower distance guidance groove tolerance |
| N | 22 mm | Fixing bore |

Additional information

| | |
|---------------|---------------------|
| TUE06 | Housing |
| GE30-XL-KRR-B | Bearing designation |