



RTUE35-XL

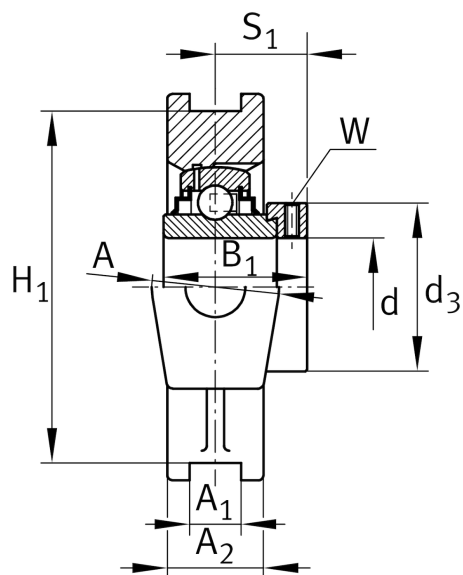
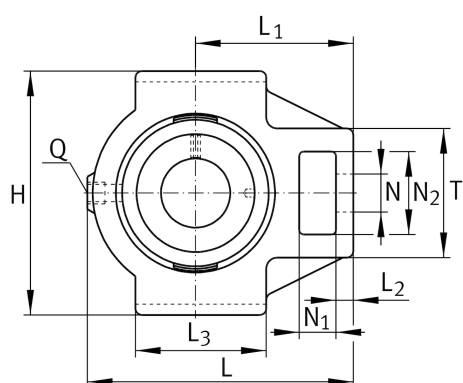
Take-up housing unit

Schaeffler ID:
0008275170000

Take-up housing units RTUE, cast iron housing, radial insert ball bearing with eccentric locking collar, R seals

X-life

Technical information



Main Dimensions & Performance Data

d	35 mm	Bore diameter
H	102 mm	Height
L	131,5 mm	Length total
	1,77 kg	Weight

Dimensions

L ₁	80 mm	Distance shaft axis
	TUE07	Housing
	GE35-XL-KRR-B	Bearing designation
L ₂	13 mm	Length fixed link
L ₃	63 mm	Length guidance groove
A	40 mm	Width housing fixing side
N ₁	18 mm	Width recess
N ₂	36,5 mm	Height recess
T	64 mm	Height housing fixing side
Q	M6	Connection thread lubrication
A ₂	30 mm	Width housing

Mounting dimensions

A ₁	12 mm	Width guidance groove
	H13	Width guidance groove clearance
H ₁	89 mm	Distance guidance grooves
	0,15 mm	Upper distance guidance groove tolerance
	-0,15 mm	Lower distance guidance groove tolerance
N	22 mm	Fixing bore