

## ★ NATV10

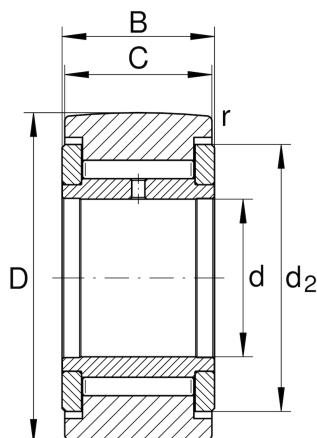
### Yoke type track roller

Schaeffler ID:  
0005794240000

★ Preferred product

Yoke type track rollers NATV, full complement needle roller set, with axial guidance, gap seals on both sides

## Technical information



### Main Dimensions & Performance Data

d	10 mm	Bore diameter
D	30 mm	Outside diameter
B	15 mm	Width, inner ring
$C_{r w}$	9.400 N	Basic dynamic load rating, radial
$C_{0r w}$	15.100 N	Basic static load rating, radial
$C_{ur w}$	2.080 N	Fatigue load limit, radial
$n_{DG}$	2.100 1/min	Speed on permanent grease lubrication
$F_{0r per}$	15.100 N	Permissible static load, radial
$F_{r per}$	14.800 N	Permissible dynamic load outer ring, radial
	65,871 g	Weight

### Dimensions

C	14 mm	Width, outer ring
$d_2$	23 mm	Outside diameter of thrust washer
$r_{min}$	0,6 mm	Minimum chamfer dimension
R	500 mm	Radius of outer ring outside profile