

★ NATV17

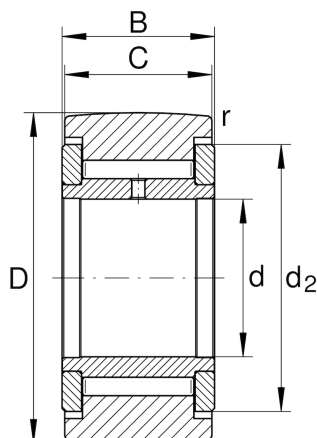
Yoke type track roller

Schaeffler ID:
0000344360000

★ Preferred product

Yoke type track rollers NATV, full complement needle roller set, with axial guidance, gap seals on both sides

Technical information



Main Dimensions & Performance Data

d	17 mm	Bore diameter
D	40 mm	Outside diameter
B	21 mm	Width, inner ring
$C_{r w}$	14.700 N	Basic dynamic load rating, radial
$C_{0r w}$	27.000 N	Basic static load rating, radial
$C_{ur w}$	3.550 N	Fatigue load limit, radial
n_{DG}	1.400 1/min	Speed on permanent grease lubrication
$F_{0r per}$	27.000 N	Permissible static load, radial
$F_{r per}$	24.900 N	Permissible dynamic load outer ring, radial
	0,153 kg	Weight

Dimensions

C	20 mm	Width, outer ring
d_2	31,5 mm	Outside diameter of thrust washer
r_{min}	1 mm	Minimum chamfer dimension
R	500 mm	Radius of outer ring outside profile