

★ PWTR1542-2RS-XL

Yoke type track roller

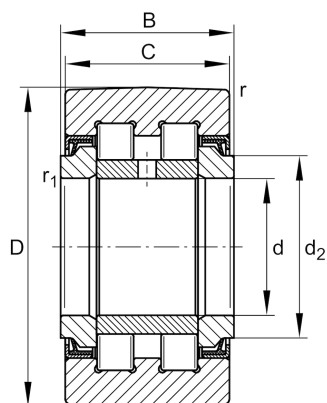
Schaeffler ID:
0625856810000

★ Preferred product

Yoke type track rollers PWTR..-2RS, full complement cylindrical roller set, with axial guidance, lip seals on both sides

X-life

Technical information



Main Dimensions & Performance Data

d	15 mm	Bore diameter
D	42 mm	Outside diameter
B	19 mm	Width, inner ring
$C_{r w}$	14.700 N	Basic dynamic load rating, radial
$C_{0r w}$	16.200 N	Basic static load rating, radial
$C_{ur w}$	2.180 N	Fatigue load limit, radial
n_{DG}	6.000 1/min	Speed on permanent grease lubrication
$F_{0r per}$	16.200 N	Permissible static load, radial
$F_{r per}$	16.200 N	Permissible dynamic load outer ring, radial
	0,156 kg	Weight

Dimensions

C	18 mm	Width, outer ring
d_2	20 mm	Stop diameter of thrust washer
r_{min}	0,6 mm	Minimum chamfer dimension
$r_{1 min}$	0,3 mm	Minimum chamfer dimension