

## ★ PWTR25-2RS-XL

Yoke type track roller

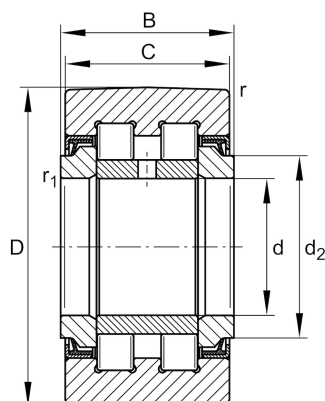
Schaeffler ID:  
0542601160000

★ Preferred product

Yoke type track rollers PWTR..-2RS, full complement cylindrical roller set, with axial guidance, lip seals on both sides

X-life

### Technical information



#### Main Dimensions & Performance Data

d	25 mm	Bore diameter
D	52 mm	Outside diameter
B	25 mm	Width, inner ring
$C_{r w}$	25.500 N	Basic dynamic load rating, radial
$C_{0r w}$	33.500 N	Basic static load rating, radial
$C_{ur w}$	4.200 N	Fatigue load limit, radial
$n_{DG}$	3.800 1/min	Speed on permanent grease lubrication
$F_{0r per}$	33.500 N	Permissible static load, radial
$F_{r per}$	21.800 N	Permissible dynamic load outer ring, radial
	0,273 kg	Weight

#### Dimensions

C	24 mm	Width, outer ring
$d_2$	31 mm	Stop diameter of thrust washer
$r_{min}$	1 mm	Minimum chamfer dimension
$r_{1 min}$	0,5 mm	Minimum chamfer dimension