



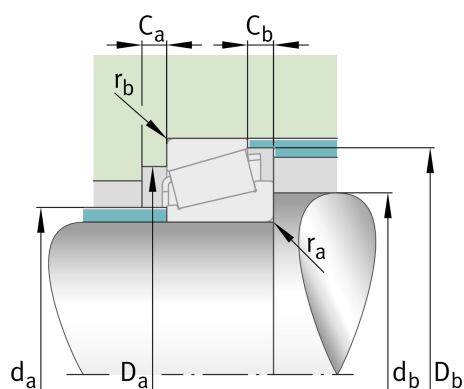
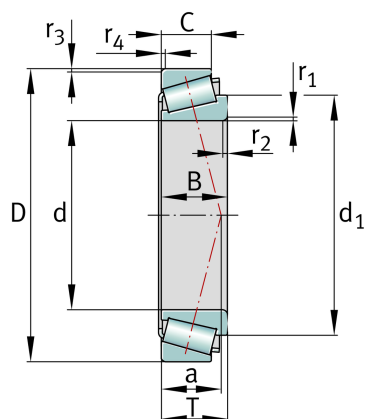
FAG

KM12649-M12610

Tapered roller bearing

Schaeffler ID:
0192024310000Tapered roller bearing K-SERIES, single
row

Technical information



Main Dimensions & Performance Data

| | | |
|----------|--------------|-----------------------------------|
| d | 21,43 mm | Bore diameter |
| D | 50,005 mm | Outside diameter |
| B | 18,288 mm | Width, inner ring |
| C | 13,97 mm | Width, outer ring |
| T | 17,526 mm | Width, total |
| C_r | 37.500 N | Basic dynamic load rating, radial |
| C_{0r} | 39.000 N | Basic static load rating, radial |
| C_{ur} | 4.500 N | Fatigue load limit, radial |
| n_G | 15.800 1/min | Limiting speed |
| | 0,002 kg | Weight |

Dimensions

| | | |
|-----------------------|---------|---|
| $r_{1,2 \text{ min}}$ | 1,3 mm | Minimum chamfer dimension of inner ring back face |
| $r_{3,4 \text{ min}}$ | 1,3 mm | Minimum chamfer dimension of outer ring back face |
| a | 11 mm | Distance between the apexes of the pressure cones |
| d_1 | 34,5 mm | Guidance rib diameter of inner ring |

Mounting dimensions

| | | |
|---------------------|---------|--------------------------------------|
| $d_{a \text{ max}}$ | 25,5 mm | Maximum diameter of shaft shoulder |
| $d_{b \text{ min}}$ | 27,5 mm | Minimum diameter of shaft shoulder |
| $D_{a \text{ min}}$ | 44 mm | Minimum diameter of housing shoulder |
| $D_{b \text{ min}}$ | 46 mm | Minimum diameter of housing shoulder |
| $C_{a \text{ min}}$ | 4 mm | Minimum axial space |
| $C_{b \text{ min}}$ | 3,5 mm | Minimum axial space |
| $r_{a \text{ max}}$ | 1,3 mm | Maximum fillet radius of shaft |
| $r_{b \text{ max}}$ | 1,3 mm | Maximum fillet radius of housing |

Calculation factors

| | | |
|----------------|------|--|
| e | 0,28 | Limiting value of Fa/Fr for the applicability of diff. Values of factors X and Y |
| Y | 2,16 | Dynamic axial load factor |
| Y ₀ | 1,19 | Static axial load factor |

Temperature range

| | | |
|------------------|--------|----------------------------|
| T _{min} | -30 °C | Operating temperature min. |
| T _{max} | 120 °C | Operating temperature max. |