



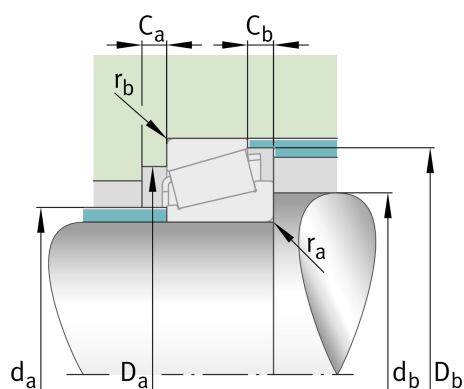
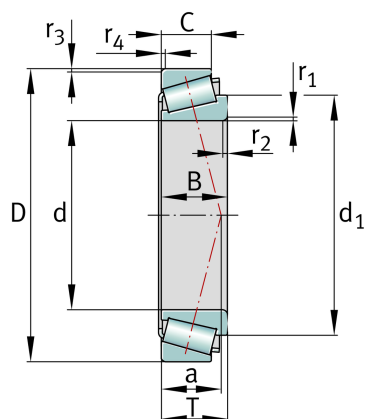
FAG

KM86649-M86610

Tapered roller bearing

Schaeffler ID:
0192026280000Tapered roller bearing K-SERIES, single
row

Technical information



Main Dimensions & Performance Data

d	30,162 mm	Bore diameter
D	64,292 mm	Outside diameter
B	21,433 mm	Width, inner ring
C	16,67 mm	Width, outer ring
T	21,433 mm	Width, total
C_r	52.000 N	Basic dynamic load rating, radial
C_{0r}	67.000 N	Basic static load rating, radial
C_{ur}	8.100 N	Fatigue load limit, radial
n_G	11.500 1/min	Limiting speed
	0,343 kg	Weight

Dimensions

$r_{1,2 \text{ min}}$	1,5 mm	Minimum chamfer dimension of inner ring back face
$r_{3,4 \text{ min}}$	1,5 mm	Minimum chamfer dimension of outer ring back face
a	18 mm	Distance between the apexes of the pressure cones
d_1	50,7 mm	Guidance rib diameter of inner ring

Mounting dimensions

$d_{a \text{ max}}$	38 mm	Maximum diameter of shaft shoulder
$d_{b \text{ min}}$	44 mm	Minimum diameter of shaft shoulder
$D_{a \text{ min}}$	54 mm	Minimum diameter of housing shoulder
$D_{b \text{ min}}$	60 mm	Minimum diameter of housing shoulder
$C_{a \text{ min}}$	3 mm	Minimum axial space
$C_{b \text{ min}}$	4,5 mm	Minimum axial space
$r_{a \text{ max}}$	1,5 mm	Maximum fillet radius of shaft
$r_{b \text{ max}}$	1,5 mm	Maximum fillet radius of housing

Calculation factors

e	0,55	Limiting value of Fa/Fr for the applicability of diff. Values of factors X and Y
Y	1,1	Dynamic axial load factor
Y ₀	0,6	Static axial load factor

Temperature range

T _{min}	-30 °C	Operating temperature min.
T _{max}	120 °C	Operating temperature max.