

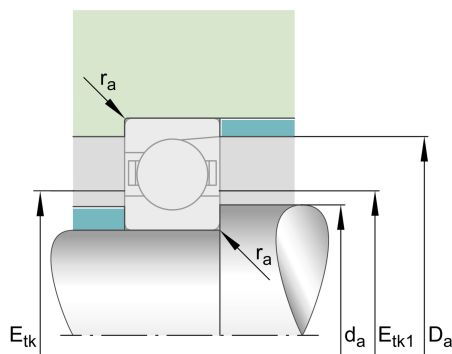
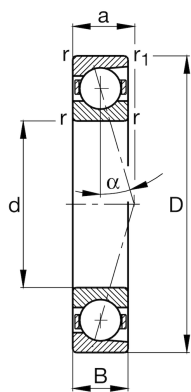
FAG

**B71944-C-T-P4S-UL**

## Spindle bearing

Schaeffler ID:  
0380632980000Spindle bearings B719.-C, adjusted,  
in pairs or sets, contact angle  $\alpha = 15^\circ$ ,  
restricted tolerances

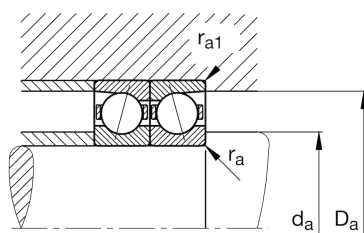
## Technical information

**Main Dimensions & Performance Data**

d	220 mm	Bore diameter
D	300 mm	Outside diameter
B	38 mm	Width
$C_r$	224.000 N	Basic dynamic load rating, radial
$C_{0r}$	203.000 N	Basic static load rating, radial
$C_{ur}$	13.300 N	Fatigue load limit, radial
$n_{G \text{ Grease}}$	4.300 1/min	Limiting speed for grease lubrication
$n_{G \text{ Oil}}$	6.700 1/min	Limiting speed for oil lubrication
	6,499 kg	Weight

**Additional information**

$r_{\min}$	2,1 mm	Minimum chamfer dimension
$F_{VL}$	1.185 N	Preload force light
$r_{1 \min}$	1,1 mm	Minimum chamfer dimension
$F_{VM}$	3.886 N	Preload force medium
$\alpha$	$15^\circ$	Contact angle
$F_{VH}$	7.879 N	Preload force heavy
$K_{aEL}$	3.600 N	Lift-off force light
$K_{aEM}$	12.649 N	Lift-off force medium
$K_{aEH}$	27.258 N	Lift-off force heavy
$c_{aL}$	196 N/ $\mu\text{m}$	Axial rigidity light
$c_{aM}$	329 N/ $\mu\text{m}$	Axial rigidity medium
$c_{aH}$	465 N/ $\mu\text{m}$	Axial rigidity heavy



### Mounting dimensions

$d_a$	234 mm	Diameter shaft shoulder
$d_a$	h12	Diameter shaft shoulder clearance
$D_a$	286 mm	Shoulder diameter outer ring
$D_a$	H12	Shoulder diameter outer ring clearance
$r_{a \max}$	1 mm	Maximum recess radius
$r_{a1 \max}$	1 mm	Maximum recess radius
$E_{tk \min}$	244,7 mm	Minimum diameter injection pitch
$E_{tk \max}$	253,1 mm	Maximum diameter injection pitch
$E_{tk1 \min}$	244,7 mm	Minimum diameter injection pitch
$E_{tk1 \max}$	253,1 mm	Maximum diameter injection pitch
$a$	53,8 mm	Distance between the apexes of the pressure cones

### Temperature range

$T_{\min}$	-30 °C	Operating temperature min.
$T_{\max}$	100 °C	Operating temperature max.