

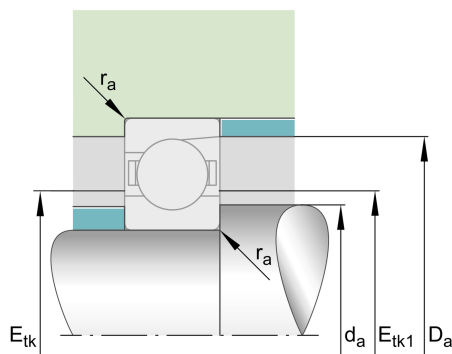
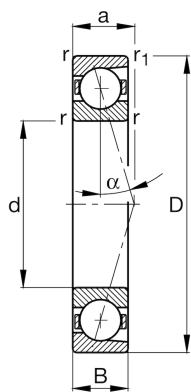
FAG

B71948-C-T-P4S-UL

Spindle bearing

Schaeffler ID:
0384358020000Spindle bearings B719.-C, adjusted,
in pairs or sets, contact angle $\alpha = 15^\circ$,
restricted tolerances

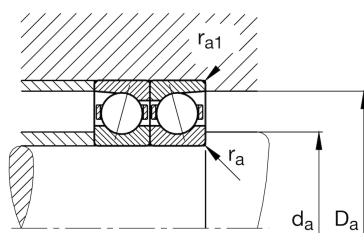
Technical information

**Main Dimensions & Performance Data**

d	240 mm	Bore diameter
D	320 mm	Outside diameter
B	38 mm	Width
C_r	231.000 N	Basic dynamic load rating, radial
C_{0r}	220.000 N	Basic static load rating, radial
C_{ur}	13.900 N	Fatigue load limit, radial
$n_{G \text{ Grease}}$	4.000 1/min	Limiting speed for grease lubrication
$n_{G \text{ Oil}}$	6.000 1/min	Limiting speed for oil lubrication
	6,997 kg	Weight

Additional information

r_{\min}	2,1 mm	Minimum chamfer dimension
F_{VL}	1.224 N	Preload force light
$r_{1 \min}$	1,1 mm	Minimum chamfer dimension
F_{VM}	4.024 N	Preload force medium
α	15°	Contact angle
F_{VH}	8.171 N	Preload force heavy
K_{aEL}	3.712 N	Lift-off force light
K_{aEM}	13.066 N	Lift-off force medium
K_{aEH}	28.181 N	Lift-off force heavy
c_{aL}	207 N/ μm	Axial rigidity light
c_{aM}	347 N/ μm	Axial rigidity medium
c_{aH}	490 N/ μm	Axial rigidity heavy



Mounting dimensions

d_a	254 mm	Diameter shaft shoulder
d_a	h12	Diameter shaft shoulder clearance
D_a	307 mm	Shoulder diameter outer ring
D_a	H12	Shoulder diameter outer ring clearance
$r_{a \max}$	1 mm	Maximum recess radius
$r_{a1 \max}$	1 mm	Maximum recess radius
$E_{tk \min}$	264,7 mm	Minimum diameter injection pitch
$E_{tk \max}$	272,9 mm	Maximum diameter injection pitch
$E_{tk1 \min}$	264,7 mm	Minimum diameter injection pitch
$E_{tk1 \max}$	272,9 mm	Maximum diameter injection pitch
a	56,5 mm	Distance between the apexes of the pressure cones

Temperature range

T_{\min}	-30 °C	Operating temperature min.
T_{\max}	100 °C	Operating temperature max.