

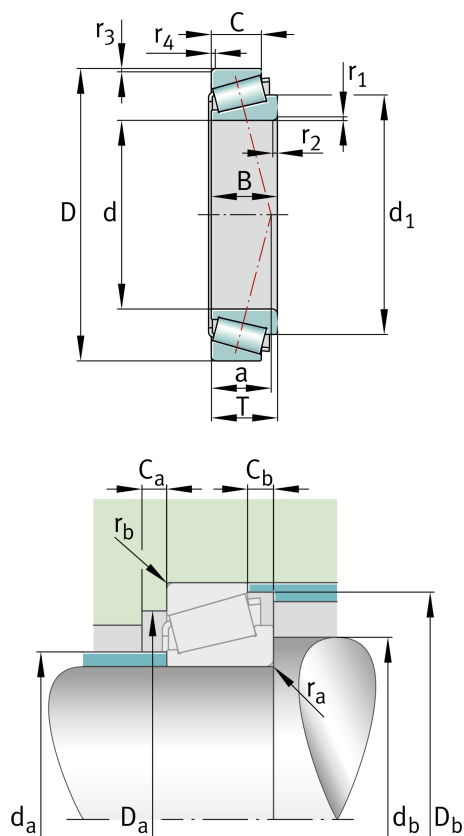
FAG

32321-A

Tapered roller bearing

Schaeffler ID:
0190566210000Tapered roller bearings 323, main
dimensions to DIN ISO 355 / DIN 720,
separable, adjusted or in pairs

Technical information



Main Dimensions & Performance Data

d	105 mm	Bore diameter
D	225 mm	Outside diameter
B	77 mm	Width, inner ring
C	63 mm	Width, outer ring
T	81,5 mm	Width, total
C_r	670.000 N	Basic dynamic load rating, radial
C_{0r}	930.000 N	Basic static load rating, radial
C_{ur}	105.000 N	Fatigue load limit, radial
n_G	3.100 1/min	Limiting speed
n_{gr}	2.220 1/min	Thermal speed rating
	16 kg	Weight

Dimensions

	T2GD105	Comparative designation to ISO 10317 and ISO 355
$r_{1,2 \min}$	4 mm	Minimum chamfer dimension of inner ring back face
$r_{3,4 \min}$	3 mm	Minimum chamfer dimension of outer ring back face
a	56 mm	Distance between the apexes of the pressure cones
d_1	160,9 mm	Guidance rib diameter of inner ring

Mounting dimensions

$d_{a \max}$	128 mm	Maximum diameter of shaft shoulder
$d_{b \min}$	119 mm	Minimum diameter of shaft shoulder
$D_{a \min}$	185 mm	Minimum diameter of housing shoulder
$D_{a \max}$	211 mm	Maximum diameter of housing shoulder
$D_{b \min}$	209 mm	Minimum diameter of housing shoulder
$C_{a \min}$	9 mm	Minimum axial space
$C_{b \min}$	18,5 mm	Minimum axial space
$r_{a \max}$	4 mm	Maximum fillet radius of shaft
$r_{b \max}$	3 mm	Maximum fillet radius of housing

Calculation factors

e	0,35	Limiting value of F_a/F_r for the applicability of diff. Values of factors X and Y
Y	1,74	Dynamic axial load factor
Y_0	0,96	Static axial load factor

Temperature range

T_{\min}	-30 °C	Operating temperature min.
T_{\max}	200 °C	Operating temperature max.