

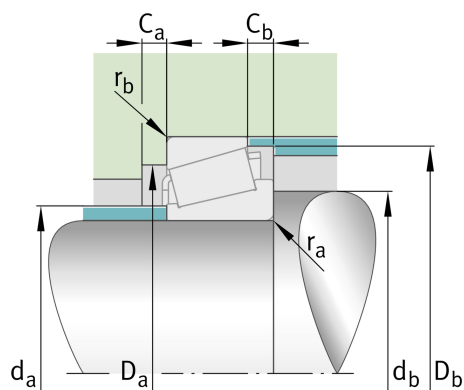
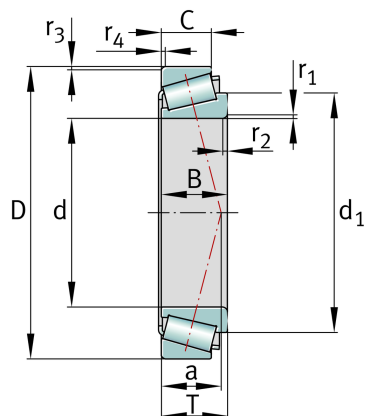
FAG

33114

Tapered roller bearing

Schaeffler ID:
0190023270000Tapered roller bearings 331, main
dimensions to DIN ISO 355 / DIN 720,
separable, adjusted or in pairs

Technical information



Main Dimensions & Performance Data

d	70 mm	Bore diameter
D	120 mm	Outside diameter
B	37 mm	Width, inner ring
C	29 mm	Width, outer ring
T	37 mm	Width, total
C_r	174.000 N	Basic dynamic load rating, radial
C_{0r}	260.000 N	Basic static load rating, radial
C_{ur}	33.500 N	Fatigue load limit, radial
n_G	5.700 1/min	Limiting speed
n_{gr}	3.500 1/min	Thermal speed rating
	1,734 kg	Weight

Dimensions

	T3DE070	Comparative designation to ISO 10317 and ISO 355
$r_{1,2 \min}$	2 mm	Minimum chamfer dimension of inner ring back face
$r_{3,4 \min}$	1,5 mm	Minimum chamfer dimension of outer ring back face
a	28 mm	Distance between the apexes of the pressure cones
d_1	96 mm	Guidance rib diameter of inner ring

Mounting dimensions

$d_{a \max}$	79 mm	Maximum diameter of shaft shoulder
$d_{b \min}$	79 mm	Minimum diameter of shaft shoulder
$D_{a \min}$	104 mm	Minimum diameter of housing shoulder
$D_{a \max}$	111 mm	Maximum diameter of housing shoulder
$D_{b \min}$	115 mm	Minimum diameter of housing shoulder
$C_{a \min}$	6 mm	Minimum axial space
$C_{b \min}$	8 mm	Minimum axial space
$r_{a \max}$	2 mm	Maximum fillet radius of shaft
$r_{b \max}$	1,5 mm	Maximum fillet radius of housing

Calculation factors

e	0,38	Limiting value of F_a/F_r for the applicability of diff. Values of factors X and Y
Y	1,58	Dynamic axial load factor
Y_0	0,87	Static axial load factor

Temperature range

T_{\min}	-30 °C	Operating temperature min.
T_{\max}	120 °C	Operating temperature max.