

FAG

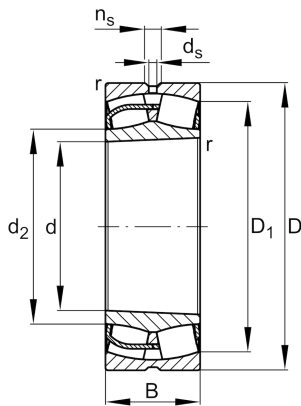
**24034-BE-XL-K30**

Spherical roller bearing

Schaeffler ID:  
0636542370000Spherical roller bearings 240..-BE-K30,  
main dimensions to DIN 635-2, with  
tapered bore, taper 1:30

X-life

## Technical information



## Main Dimensions &amp; Performance Data

d	170 mm	Bore diameter
D	260 mm	Outside diameter
B	90 mm	Width
C <sub>r</sub>	940.000 N	Basic dynamic load rating, radial
C <sub>0r</sub>	1.480.000 N	Basic static load rating, radial
C <sub>ur</sub>	162.000 N	Fatigue load limit, radial
n <sub>G</sub>	2.380 1/min	Limiting speed
n <sub>gr</sub>	1.540 1/min	Reference speed
	16,688 kg	Weight

## Additional information

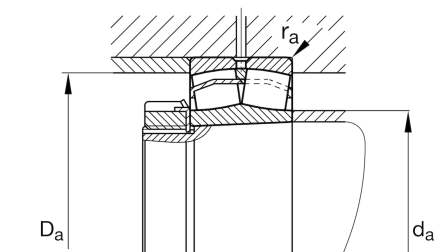
r <sub>min</sub>	2,1 mm	Minimum chamfer dimension
D <sub>1</sub>	228,4 mm	Bore diameter outer ring
	AH24034	Withdrawal sleeve
d <sub>2</sub>	190 mm	Raceway diameter of the inner ring
d <sub>s</sub>	4,8 mm	Diameter lubrication hole
n <sub>s</sub>	9,5 mm	Width of lubricating groove

## Mounting dimensions

d <sub>a min</sub>	180,2 mm	Minimum diameter shaft shoulder
D <sub>a max</sub>	249,8 mm	Maximum diameter of housing shoulder
r <sub>a max</sub>	2,1 mm	Maximum recess radius

## Calculation factors

e	0,31	Limiting value of Fa/Fr for the applicability of diff. Values of factors X and Y
Y <sub>1</sub>	2,2	Dynamic axial load factor
Y <sub>2</sub>	3,27	Dynamic axial load factor
Y <sub>0</sub>	2,15	Static axial load factor



**Temperature range**

T <sub>min</sub>	-30 °C	Operating temperature min.
T <sub>max</sub>	200 °C	Operating temperature max.