

FAG

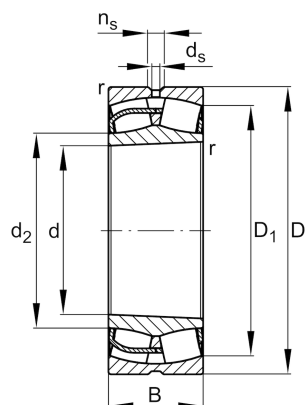
24044-BE-XL-K30

Spherical roller bearing

Schaeffler ID:
0675993620000Spherical roller bearings 240..-BE-K30,
main dimensions to DIN 635-2, with
tapered bore, taper 1:30

X-life

Technical information



Main Dimensions & Performance Data

d	220 mm	Bore diameter
D	340 mm	Outside diameter
B	118 mm	Width
C_r	1.620.000 N	Basic dynamic load rating, radial
C_{0r}	2.600.000 N	Basic static load rating, radial
C_{ur}	260.000 N	Fatigue load limit, radial
n_G	1.830 1/min	Limiting speed
n_{gr}	1.090 1/min	Reference speed
	37,76 kg	Weight

Additional information

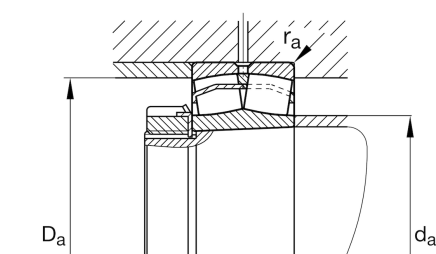
r_{min}	3 mm	Minimum chamfer dimension
D_1	295,7 mm	Bore diameter outer ring
	AH24044	Withdrawal sleeve
d_2	245 mm	Raceway diameter of the inner ring
d_s	6,3 mm	Diameter lubrication hole
n_s	12,2 mm	Width of lubricating groove

Mounting dimensions

$d_{a min}$	232,4 mm	Minimum diameter shaft shoulder
$D_{a max}$	327,6 mm	Maximum diameter of housing shoulder
$r_{a max}$	2,5 mm	Maximum recess radius

Calculation factors

e	0,32	Limiting value of F_a/F_r for the applicability of diff. Values of factors X and Y
Y_1	2,1	Dynamic axial load factor
Y_2	3,13	Dynamic axial load factor
Y_0	2,06	Static axial load factor



Temperature range

T _{min}	-30 °C	Operating temperature min.
T _{max}	200 °C	Operating temperature max.