

FAG

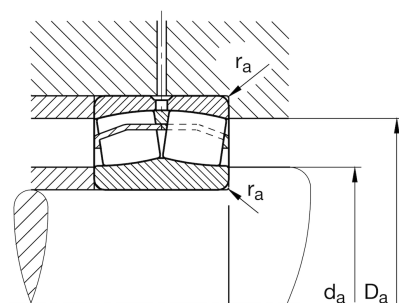
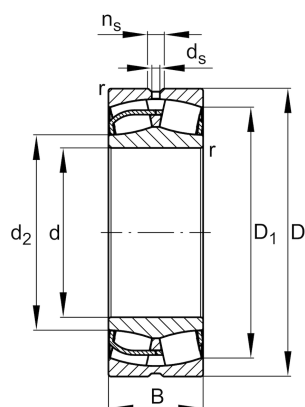
**24056-BE-XL**

Spherical roller bearing

Schaeffler ID:  
0688373990000Spherical roller bearing 240..-BE-XL,  
symmetric with rib washer

X-life

## Technical information



## Main Dimensions &amp; Performance Data

d	280 mm	Bore diameter
D	420 mm	Outside diameter
B	140 mm	Width
$C_r$	2.290.000 N	Basic dynamic load rating, radial
$C_{0r}$	3.950.000 N	Basic static load rating, radial
$C_{ur}$	370.000 N	Fatigue load limit, radial
$n_G$	1.420 1/min	Limiting speed
$n_{gr}$	800 1/min	Reference speed
	67,21 kg	Weight

## Additional information

$r_{min}$	4 mm	Minimum chamfer dimension
$D_1$	370,5 mm	Bore diameter outer ring
$d_2$	310,3 mm	Raceway diameter of the inner ring
$d_s$	6,3 mm	Diameter lubrication hole
$n_s$	12,2 mm	Width of lubricating groove

## Mounting dimensions

$d_{a min}$	294,6 mm	Minimum diameter shaft shoulder
$D_{a max}$	405,4 mm	Maximum diameter of housing shoulder
$r_{a max}$	3 mm	Maximum recess radius

## Calculation factors

e	0,3	Limiting value of $F_a/F_r$ for the applicability of diff. Values of factors X and Y
$Y_1$	2,23	Dynamic axial load factor
$Y_2$	3,32	Dynamic axial load factor
$Y_0$	2,18	Static axial load factor

**Temperature range**

T <sub>min</sub>	-30 °C	Operating temperature min.
T <sub>max</sub>	200 °C	Operating temperature max.