



FAG

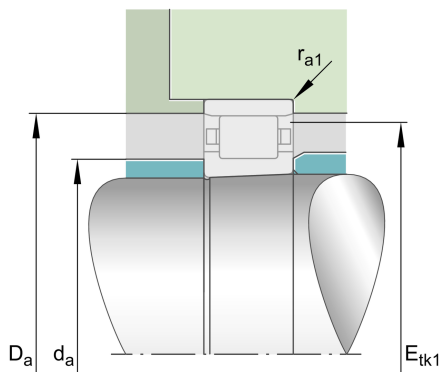
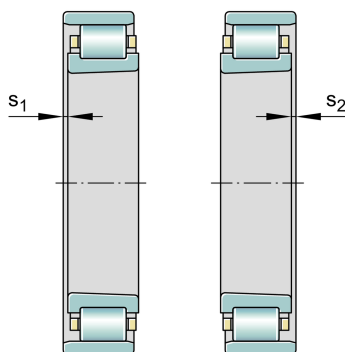
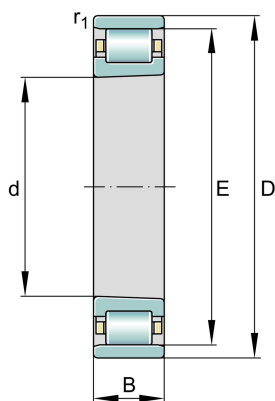
N1009-D-K-TVP-SP-XL

Cylindrical roller bearing

Schaeffler ID:
0877060080000Super precision cylindrical roller bearings
N10..-D-K-TVP-SP, non-locating bearing,
with tapered bore, taper 1:12, separable,
with cage

X-life

Technical information

**Main Dimensions & Performance Data**

d	45 mm	Bore diameter
D	75 mm	Outside diameter
B	16 mm	Width
C_r	34.500 N	Basic dynamic load rating, radial
C_{0r}	32.500 N	Basic static load rating, radial
C_{ur}	5.100 N	Fatigue load limit, radial
$n_{G \text{ Grease}}$	15.200 1/min	Limiting speed for grease lubrication
$n_{G \text{ Oil}}$	17.800 1/min	Limiting speed for oil lubrication
	0,002 kg	Weight

Additional information

$r_{1 \text{ min}}$	0,6 mm	Minimum chamfer dimension
s_1	3,1 mm	Axial displacement
s_2	3,1 mm	Axial displacement
E	67,5 mm	Raceway diameter outer ring

Mounting dimensions

$d_{a \text{ min}}$	53,5 mm	Minimum diameter shaft shoulder
$D_{a \text{ max}}$	68,6 mm	Maximum diameter of housing shoulder
$E_{tk1 \text{ nom}}$	66,2 mm	Injection pitch diameter min
$r_{a1 \text{ max}}$	0,6 mm	Maximum recess radius

Temperature range

T_{min}	-30 °C	Operating temperature min.
T_{max}	120 °C	Operating temperature max.