



FAG

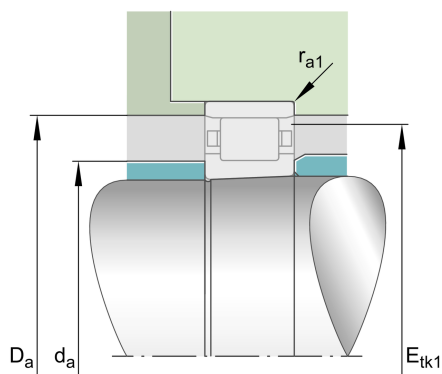
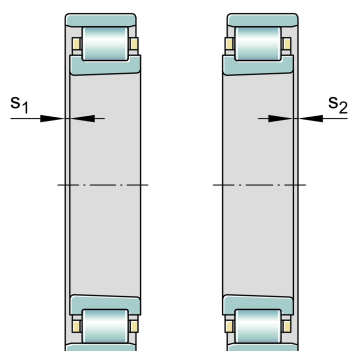
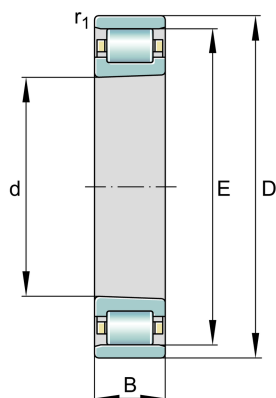
**N1012-D-K-TVP-SP-XL**

Cylindrical roller bearing

Schaeffler ID:  
0867019670000Super precision cylindrical roller bearings  
N10..-D-K-TVP-SP, non-locating bearing,  
with tapered bore, taper 1:12, separable,  
with cage

X-life

## Technical information

**Main Dimensions & Performance Data**

d	60 mm	Bore diameter
D	95 mm	Outside diameter
B	18 mm	Width
$C_r$	51.000 N	Basic dynamic load rating, radial
$C_{0r}$	53.000 N	Basic static load rating, radial
$C_{ur}$	8.700 N	Fatigue load limit, radial
$n_{G \text{ Grease}}$	11.900 1/min	Limiting speed for grease lubrication
$n_{G \text{ Oil}}$	14.000 1/min	Limiting speed for oil lubrication
	0,413 kg	Weight

**Additional information**

$r_{1 \text{ min}}$	1 mm	Minimum chamfer dimension
$s_1$	3,4 mm	Axial displacement
$s_2$	3,4 mm	Axial displacement
E	86,1 mm	Raceway diameter outer ring

**Mounting dimensions**

$d_{a \text{ min}}$	70,1 mm	Minimum diameter shaft shoulder
$D_{a \text{ max}}$	87,3 mm	Maximum diameter of housing shoulder
$E_{tk1 \text{ nom}}$	84,4 mm	Injection pitch diameter min
$r_{a1 \text{ max}}$	1 mm	Maximum recess radius

**Temperature range**

$T_{\text{min}}$	-30 °C	Operating temperature min.
$T_{\text{max}}$	120 °C	Operating temperature max.