



FAG

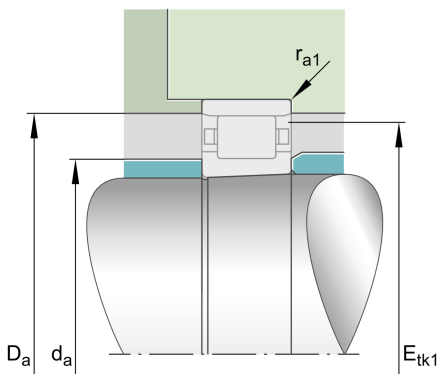
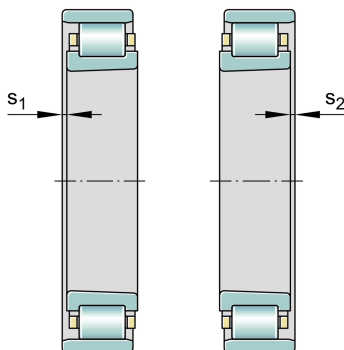
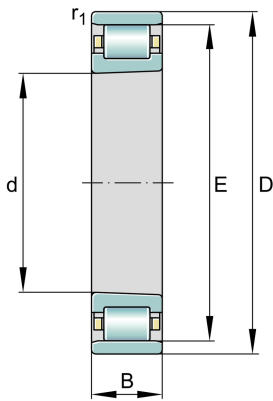
N1018-D-K-TVP-SP-XL

Cylindrical roller bearing

Schaeffler ID:
0875146480000Super precision cylindrical roller bearings
N10..-D-K-TVP-SP, non-locating bearing,
with tapered bore, taper 1:12, separable,
with cage

X-life

Technical information

**Main Dimensions & Performance Data**

d	90 mm	Bore diameter
D	140 mm	Outside diameter
B	24 mm	Width
C_r	95.000 N	Basic dynamic load rating, radial
C_{0r}	108.000 N	Basic static load rating, radial
C_{ur}	16.800 N	Fatigue load limit, radial
$n_{G \text{ Grease}}$	8.000 1/min	Limiting speed for grease lubrication
$n_{G \text{ Oil}}$	9.400 1/min	Limiting speed for oil lubrication
	1,196 kg	Weight

Additional information

$r_{1 \text{ min}}$	1,1 mm	Minimum chamfer dimension
s_1	4,4 mm	Axial displacement
s_2	4,4 mm	Axial displacement
E	127 mm	Raceway diameter outer ring

Mounting dimensions

$d_{a \text{ min}}$	105 mm	Minimum diameter shaft shoulder
$D_{a \text{ max}}$	128,5 mm	Maximum diameter of housing shoulder
$E_{tk1 \text{ nom}}$	124,9 mm	Injection pitch diameter min
$r_{a1 \text{ max}}$	1 mm	Maximum recess radius

Temperature range

T_{min}	-30 °C	Operating temperature min.
T_{max}	120 °C	Operating temperature max.