

FAG

22256-BEA-XL-K-MB1

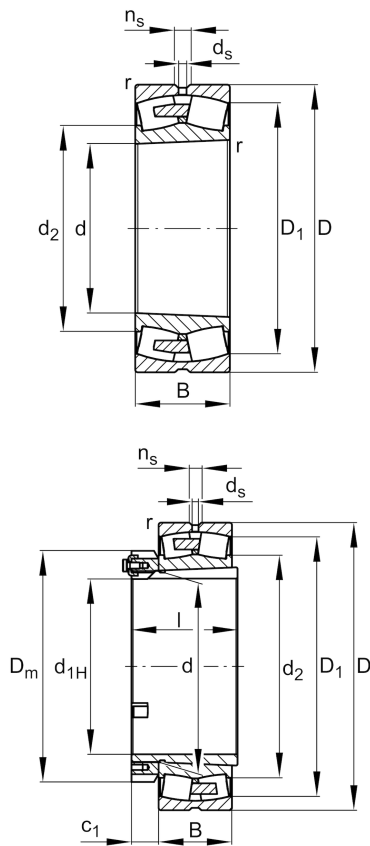
Spherical roller bearing

Schaeffler ID:
0848949030000

Spherical roller bearing 222..-BEA-XL-K-MB1, symmetric 2 outer ribs with rib washer

X-life

Technical information

**Main Dimensions & Performance Data**

d	280 mm	Bore diameter
D	500 mm	Outside diameter
B	130 mm	Width
C_r	2.750.000 N	Basic dynamic load rating, radial
C_{0r}	3.700.000 N	Basic static load rating, radial
C_{ur}	320.000 N	Fatigue load limit, radial
n_G	1.650 1/min	Limiting speed
n_{gr}	990 1/min	Reference speed
	106,18 kg	Weight

Additional information

r_{min}	5 mm	Minimum chamfer dimension
	H3156X	Adapter sleeve
D_1	436 mm	Bore diameter outer ring
	AH2256G	Withdrawal sleeve
d_s	12,5 mm	Diameter lubrication hole
n_s	23,5 mm	Width of lubricating groove

Mounting dimensions

$d_{a min}$	300 mm	Minimum diameter shaft shoulder
$D_{a max}$	480 mm	Maximum diameter of housing shoulder
$r_{a max}$	4 mm	Maximum recess radius
$d_{a max}$	324 mm	Maximum diameter of shaft shoulder
$d_{b min}$	296 mm	Minimum cavity diameter of the sleeve
$B_{a min}$	28 mm	Minimum cavity width of the sleeve

Calculation factors

e	0,25	Limiting value of Fa/Fr for the applicability of diff. Values of factors X and Y
Y ₁	2,71	Dynamic axial load factor
Y ₂	4,04	Dynamic axial load factor
Y ₀	2,65	Static axial load factor

Temperature range

T _{min}	-30 °C	Operating temperature min.
T _{max}	200 °C	Operating temperature max.