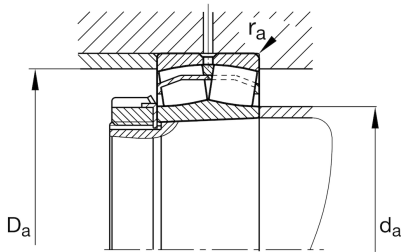
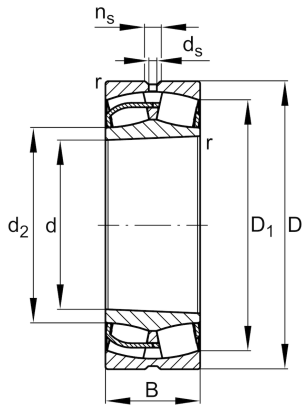


## Technical information



### Main Dimensions & Performance Data

d	240 mm	Bore diameter
D	440 mm	Outside diameter
B	120 mm	Width
$C_r$	2.230.000 N	Basic dynamic load rating, radial
$C_{0r}$	2.900.000 N	Basic static load rating, radial
$C_{ur}$	255.000 N	Fatigue load limit, radial
$n_G$	1.900 1/min	Limiting speed
$n_{gr}$	1.200 1/min	Reference speed
	77 kg	Weight

### Additional information

	H3148X	Adapter sleeve
$r_{min}$	4 mm	Minimum chamfer dimension
$D_1$	380,4 mm	Bore diameter outer ring
	AH2248	Withdrawal sleeve
$d_2$	285,6 mm	Raceway diameter of the inner ring
$d_s$	12,5 mm	Diameter lubrication hole
$n_s$	23,5 mm	Width of lubricating groove

### Mounting dimensions

$d_{a min}$	257 mm	Minimum diameter shaft shoulder
$d_{a max}$	283 mm	Maximum diameter of shaft shoulder
$D_{a max}$	423 mm	Maximum diameter of housing shoulder
$r_{a max}$	3 mm	Maximum recess radius
$d_{b min}$	254 mm	Minimum cavity diameter of the sleeve
$B_{a min}$	19 mm	Minimum cavity width of the sleeve

**Calculation factors**

e	0,26	Limiting value of Fa/Fr for the applicability of diff. Values of factors X and Y
Y <sub>1</sub>	2,55	Dynamic axial load factor
Y <sub>2</sub>	3,8	Dynamic axial load factor
Y <sub>0</sub>	2,5	Static axial load factor

**Temperature range**

T <sub>min</sub>	-30 °C	Operating temperature min.
T <sub>max</sub>	200 °C	Operating temperature max.