

FAG

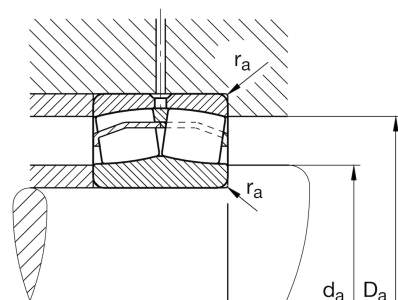
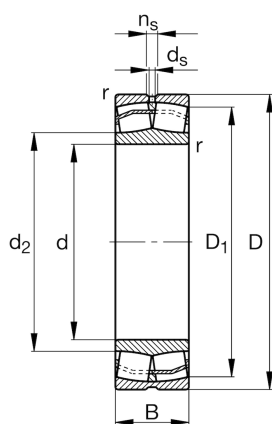
**22311-E1-XL-T41A**

Spherical roller bearing

Schaeffler ID:  
0190196370000Spherical roller bearing 223..-E1-XL-T41A,  
symmetric with cage guidance ring

X-life

## Technical information

**Main Dimensions & Performance Data**

d	55 mm	Bore diameter
D	120 mm	Outside diameter
B	43 mm	Width
$C_r$	265.000 N	Basic dynamic load rating, radial
$C_{0r}$	260.000 N	Basic static load rating, radial
$C_{ur}$	24.600 N	Fatigue load limit, radial
$n_G$	5.800 1/min	Limiting speed
$n_{gr}$	4.500 1/min	Reference speed
	2,23 kg	Weight

**Additional information**

$r_{min}$	2 mm	Minimum chamfer dimension
$D_1$	101,4 mm	Bore diameter outer ring
$d_2$	68,9 mm	Raceway diameter of the inner ring
$d_s$	3,2 mm	Diameter lubrication hole
$n_s$	6,5 mm	Width of lubricating groove

**Mounting dimensions**

$d_{a min}$	66 mm	Minimum diameter shaft shoulder
$D_{a max}$	109 mm	Maximum diameter of housing shoulder
$r_{a max}$	2 mm	Maximum recess radius

**Calculation factors**

e	0,36	Limiting value of $F_a/F_r$ for the applicability of diff. Values of factors X and Y
$Y_1$	1,89	Dynamic axial load factor
$Y_2$	2,81	Dynamic axial load factor
$Y_0$	1,84	Static axial load factor

**Temperature range**

T <sub>min</sub>	-30 °C	Operating temperature min.
T <sub>max</sub>	200 °C	Operating temperature max.