

FAG

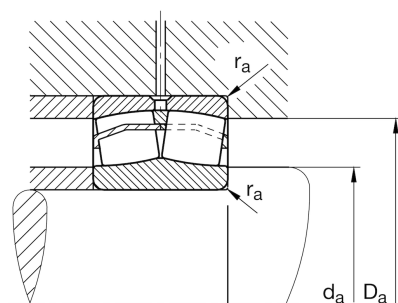
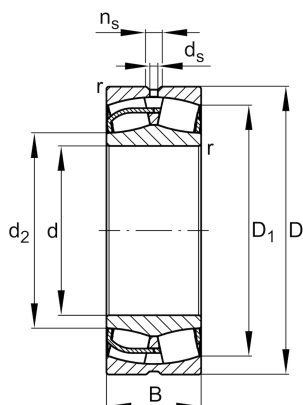
23056-BE-XL

Spherical roller bearing

Schaeffler ID:
0598547900000Spherical roller bearings 230..-E1, main
dimensions to DIN 635-2

X-life

Technical information



Main Dimensions & Performance Data

d	280 mm	Bore diameter
D	420 mm	Outside diameter
B	106 mm	Width
C _r	1.780.000 N	Basic dynamic load rating, radial
C _{0r}	2.850.000 N	Basic static load rating, radial
C _{ur}	260.000 N	Fatigue load limit, radial
n _G	1.740 1/min	Limiting speed
n _{gr}	1.090 1/min	Reference speed
	50,205 kg	Weight

Additional information

r _{min}	4 mm	Minimum chamfer dimension
D ₁	379,2 mm	Bore diameter outer ring
d ₂	314,3 mm	Raceway diameter of the inner ring
d _s	9,5 mm	Diameter lubrication hole
n _s	17,7 mm	Width of lubricating groove

Mounting dimensions

d _{a min}	294,6 mm	Minimum diameter shaft shoulder
D _{a max}	405,4 mm	Maximum diameter of housing shoulder
r _{a max}	3 mm	Maximum recess radius

Calculation factors

e	0,22	Limiting value of Fa/Fr for the applicability of diff. Values of factors X and Y
Y ₁	3,01	Dynamic axial load factor
Y ₂	4,48	Dynamic axial load factor
Y ₀	2,94	Static axial load factor

Temperature range

T _{min}	-30 °C	Operating temperature min.
T _{max}	200 °C	Operating temperature max.