

FAG

23152-BE-XL-K

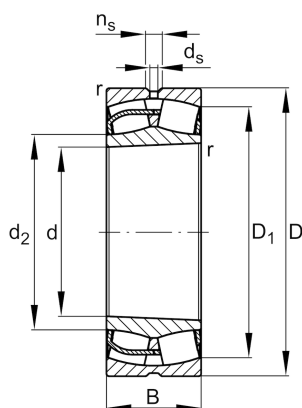
Spherical roller bearing

Schaeffler ID:
0599725990000

Spherical roller bearings 231...-E1-K, main dimensions to DIN 635-2, with tapered bore, taper 1:12

X-life

Technical information



Main Dimensions & Performance Data

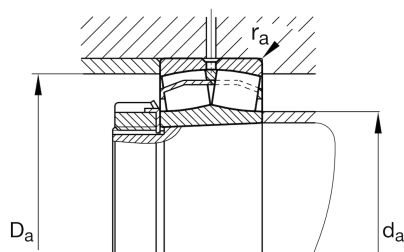
d	260 mm	Bore diameter
D	440 mm	Outside diameter
B	144 mm	Width
C_r	2.600.000 N	Basic dynamic load rating, radial
C_{0r}	3.900.000 N	Basic static load rating, radial
C_{ur}	310.000 N	Fatigue load limit, radial
n_G	1.500 1/min	Limiting speed
n_{gr}	860 1/min	Reference speed
	84,84 kg	Weight

Additional information

	H3152X	Adapter sleeve
r_{min}	4 mm	Minimum chamfer dimension
D_1	382,7 mm	Bore diameter outer ring
	AH3152G	Withdrawal sleeve
d_2	301,7 mm	Raceway diameter of the inner ring
d_s	9,5 mm	Diameter lubrication hole
n_s	17,7 mm	Width of lubricating groove

Mounting dimensions

$d_{a min}$	277 mm	Minimum diameter shaft shoulder
$d_{a max}$	302 mm	Maximum diameter of shaft shoulder
$D_{a max}$	423 mm	Maximum diameter of housing shoulder
$r_{a max}$	3 mm	Maximum recess radius
$d_{b min}$	276 mm	Minimum cavity diameter of the sleeve
$B_{a min}$	11 mm	Minimum cavity width of the sleeve



Calculation factors

e	0,32	Limiting value of Fa/Fr for the applicability of diff. Values of factors X and Y
Y ₁	2,12	Dynamic axial load factor
Y ₂	3,15	Dynamic axial load factor
Y ₀	2,07	Static axial load factor

Temperature range

T _{min}	-30 °C	Operating temperature min.
T _{max}	200 °C	Operating temperature max.