

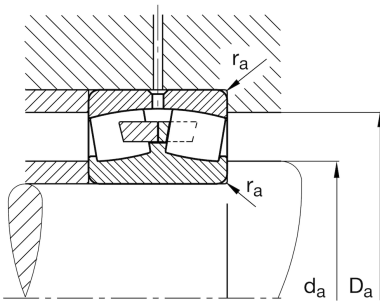
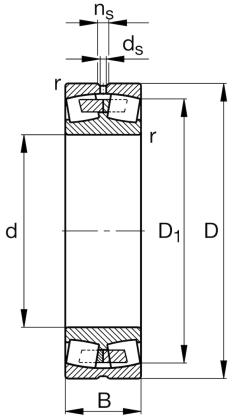
FAG

**23976-MB**

Spherical roller bearing

Schaeffler ID:  
0190017890000Spherical roller bearing 239..-MB,  
symmetric 3 ribs

## Technical information

**Main Dimensions & Performance Data**

d	380 mm	Bore diameter
D	520 mm	Outside diameter
B	106 mm	Width
$C_r$	1.780.000 N	Basic dynamic load rating, radial
$C_{0r}$	4.000.000 N	Basic static load rating, radial
$C_{ur}$	270.000 N	Fatigue load limit, radial
$n_G$	1.340 1/min	Limiting speed
$n_{gr}$	750 1/min	Reference speed
	68,78 kg	Weight

**Additional information**

$r_{min}$	4 mm	Minimum chamfer dimension
$D_1$	477,6 mm	Bore diameter outer ring
$d_s$	9,5 mm	Diameter lubrication hole
$n_s$	17,7 mm	Width of lubricating groove

**Mounting dimensions**

$d_{amin}$	394,6 mm	Minimum diameter shaft shoulder
$D_{amax}$	505,4 mm	Maximum diameter of housing shoulder
$r_{amax}$	3 mm	Maximum recess radius

**Calculation factors**

e	0,19	Limiting value of $F_a/F_r$ for the applicability of diff. Values of factors X and Y
$Y_1$	3,58	Dynamic axial load factor
$Y_2$	5,33	Dynamic axial load factor
$Y_0$	3,5	Static axial load factor

**Temperature range**

$T_{min}$	-30 °C	Operating temperature min.
$T_{max}$	200 °C	Operating temperature max.