

FAG

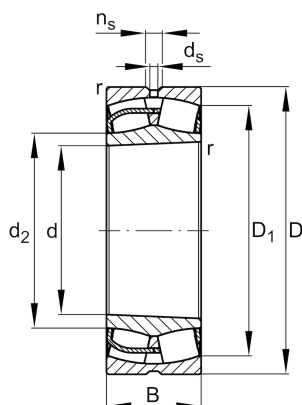
**24028-BE-XL-K30**

Spherical roller bearing

Schaeffler ID:  
0586770110000Spherical roller bearings 240..-BE-K30,  
main dimensions to DIN 635-2, with  
tapered bore, taper 1:30

X-life

## Technical information



## Main Dimensions &amp; Performance Data

d	140 mm	Bore diameter
D	210 mm	Outside diameter
B	69 mm	Width
C <sub>r</sub>	590.000 N	Basic dynamic load rating, radial
C <sub>0r</sub>	930.000 N	Basic static load rating, radial
C <sub>ur</sub>	111.000 N	Fatigue load limit, radial
n <sub>G</sub>	2.950 1/min	Limiting speed
n <sub>gr</sub>	1.950 1/min	Reference speed
	8,155 kg	Weight

## Additional information

r <sub>min</sub>	2 mm	Minimum chamfer dimension
D <sub>1</sub>	186,4 mm	Bore diameter outer ring
	AH24028	Withdrawal sleeve
d <sub>2</sub>	157,1 mm	Raceway diameter of the inner ring
d <sub>s</sub>	3,2 mm	Diameter lubrication hole
n <sub>s</sub>	6,5 mm	Width of lubricating groove

## Mounting dimensions

d <sub>a min</sub>	148,8 mm	Minimum diameter shaft shoulder
D <sub>a max</sub>	201,2 mm	Maximum diameter of housing shoulder
r <sub>a max</sub>	2 mm	Maximum recess radius

## Calculation factors

e	0,28	Limiting value of Fa/Fr for the applicability of diff. Values of factors X and Y
Y <sub>1</sub>	2,37	Dynamic axial load factor
Y <sub>2</sub>	3,53	Dynamic axial load factor
Y <sub>0</sub>	2,32	Static axial load factor

**Temperature range**

T <sub>min</sub>	-30 °C	Operating temperature min.
T <sub>max</sub>	200 °C	Operating temperature max.