

FAG

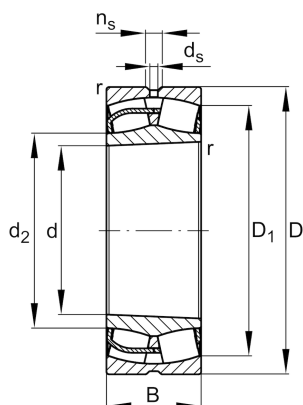
24030-BE-XL-K30

Spherical roller bearing

Schaeffler ID:
0586944470000Spherical roller bearings 240..-BE-K30,
main dimensions to DIN 635-2, with
tapered bore, taper 1:30

X-life

Technical information



Main Dimensions & Performance Data

d	150 mm	Bore diameter
D	225 mm	Outside diameter
B	75 mm	Width
C_r	680.000 N	Basic dynamic load rating, radial
C_{0r}	1.090.000 N	Basic static load rating, radial
C_{ur}	125.000 N	Fatigue load limit, radial
n_G	2.750 1/min	Limiting speed
n_{gr}	1.790 1/min	Reference speed
	10,171 kg	Weight

Additional information

r_{min}	2,1 mm	Minimum chamfer dimension
D_1	199,4 mm	Bore diameter outer ring
	AH24030	Withdrawal sleeve
d_2	168,1 mm	Raceway diameter of the inner ring
d_s	3,2 mm	Diameter lubrication hole
n_s	6,5 mm	Width of lubricating groove

Mounting dimensions

$d_{a min}$	160,2 mm	Minimum diameter shaft shoulder
$D_{a max}$	214,8 mm	Maximum diameter of housing shoulder
$r_{a max}$	2,1 mm	Maximum recess radius

Calculation factors

e	0,29	Limiting value of F_a/F_r for the applicability of diff. Values of factors X and Y
Y_1	2,32	Dynamic axial load factor
Y_2	3,45	Dynamic axial load factor
Y_0	2,26	Static axial load factor

Temperature range

T _{min}	-30 °C	Operating temperature min.
T _{max}	200 °C	Operating temperature max.