



FAG

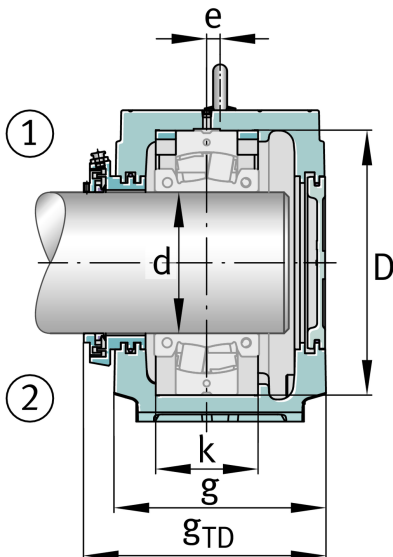
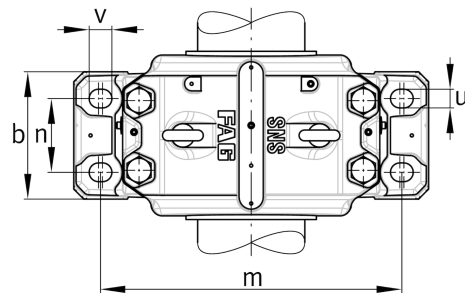
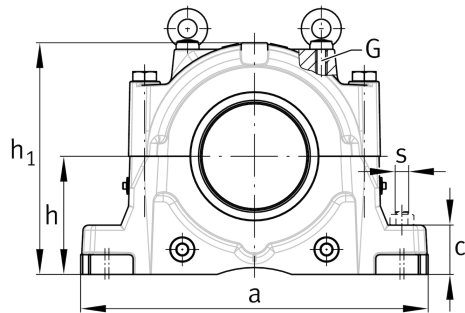
SNS3138-Z-D

Plummer block housing

Schaeffler ID:
0806129540000

Plummer block housing, split, for spherical roller bearings with cylindrical bore, metric shaft diameters, for grease lubrication

Technical information

**Main Dimensions & Performance Data**

| | | |
|-------|---------|----------------|
| h_1 | 375 mm | Housing height |
| g | 260 mm | Housing width |
| a | 560 mm | length base |
| | 96,4 kg | Weight |

Dimensions

| | | |
|-------|--------|-----------------------------|
| c | 80 mm | Base height |
| b | 210 mm | Base width |
| n_2 | 120 mm | Base hole distance 2 |
| D | 320 mm | Bearing seat |
| e | 10 mm | Center offset |
| h | 190 mm | Center height |
| k | 124 mm | Bearing seat width |
| m | 480 mm | Base hole distance 1 |
| s | M24 | Screw size base hole fixing |
| u | 28 mm | Base hole width |
| v | 34 mm | Base hole length |

