



## ★ FLCTE35-XL

Flanged housing unit

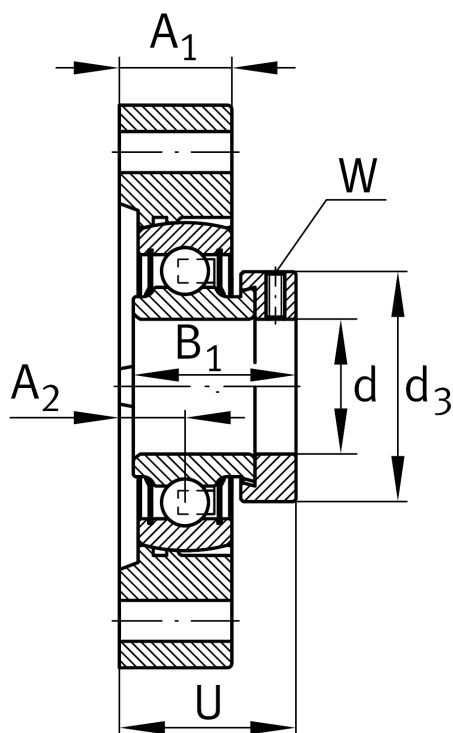
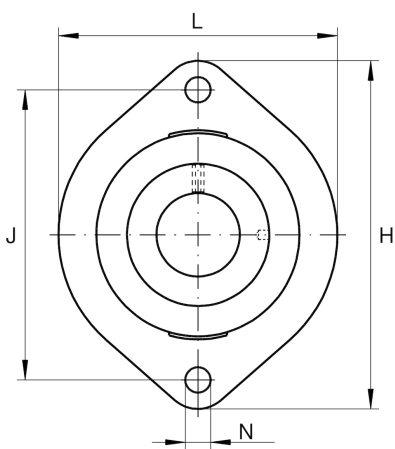
Schaeffler ID:  
0008312980000

★ Preferred product

Housing units FLCTE, two-bolt flanged housing units, cast iron, eccentric locking collar, P seals, without relubrication facility

X-life

### Technical information



### Main Dimensions & Performance Data

d	35 mm	Bore diameter
L	94 mm	Flange width
H	126 mm	Height flange
U	42 mm	Total height unit
$C_r$	25.500 N	Basic dynamic load rating, radial
$C_{0r}$	15.300 N	Basic static load rating, radial
$C_{ur}$	650 N	Fatigue load limit, radial
	1,02 kg	Weight

### Dimensions

$A_1$	22 mm	Thickness of flange
$A_2$	12,4 mm	Distance raceway
$d_3$	55 mm	Outside diameter eccentric locking collar

### Mounting dimensions

J	100 mm	Distance fixing bore
N	11.5 mm	Fixing bore
n	2	Number of screwing holes

### Additional information

	1	Number of housings
	LCTE07	Housing
	RAE35-XL-NPP-B	Bearing designation