



## ★ FLCTEY20-XL

Flanged housing unit

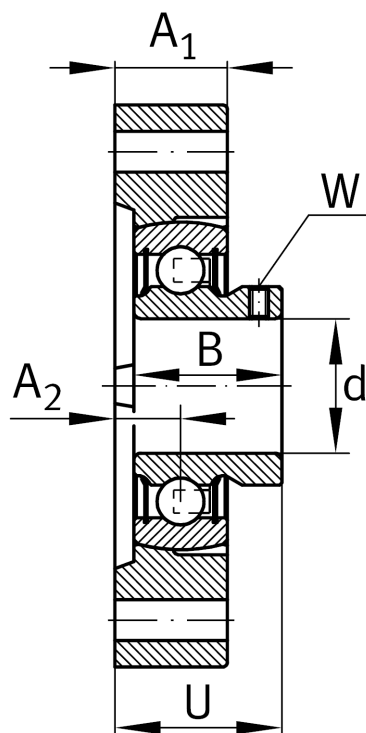
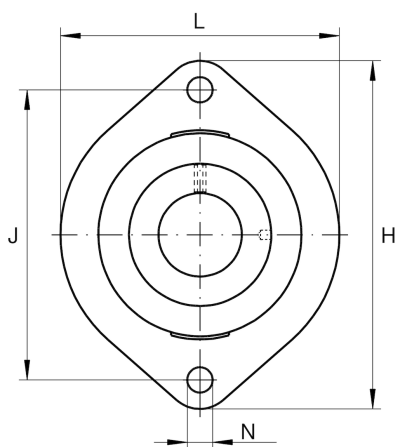
Schaeffler ID:  
0008834920000

★ Preferred product

Housing units FLCTEY, two-bolt flanged housing units, cast iron, grub screws in inner ring, P seals, without relubrication facility

X-life

### Technical information



### Main Dimensions & Performance Data

|          |          |                                   |
|----------|----------|-----------------------------------|
| d        | 20 mm    | Bore diameter                     |
| L        | 66,5 mm  | Flange width                      |
| H        | 90,5 mm  | Height flange                     |
| U        | 27 mm    | Total height unit                 |
| $C_r$    | 13.600 N | Basic dynamic load rating, radial |
| $C_{0r}$ | 6.600 N  | Basic static load rating, radial  |
| $C_{ur}$ | 345 N    | Fatigue load limit, radial        |
|          | 0,31 kg  | Weight                            |

### Dimensions

|       |        |   |
|-------|--------|---|
| $A_1$ | 17 mm  | Thickness of flange                       |
| $A_2$ | 9,5 mm | Distance raceway                          |
| $d_3$ | 33 mm  | Outside diameter eccentric locking collar |

### Mounting dimensions

|   |         |                               |
|---|---------|-------------------------------|
| J | 71,4 mm | Distance fixing bore          |
| J | 71,4 mm | Pitch circle diameter (holes) |
| N | 9 mm    | Fixing bore                   |
| n | 2       | Number of screwing holes      |

### Additional information

|  |               |                     |
|--|---------------|---------------------|
|  | 1             | Number of housings  |
|  | LCTE04        | Housing             |
|  | AY20-XL-NPP-B | Bearing designation |