



★ FLCTEY25-XL

Flanged housing unit

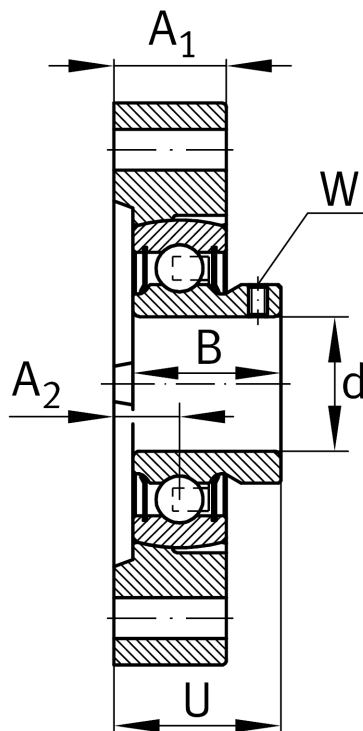
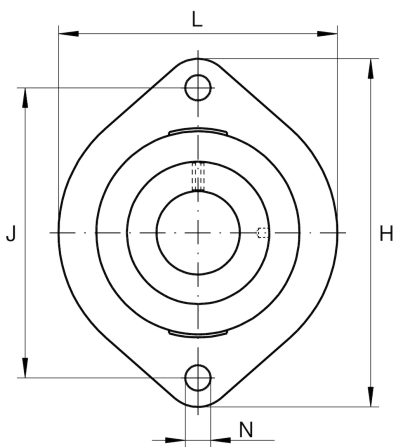
Schaeffler ID:
0008424510000

★ Preferred product

Housing units FLCTEY, two-bolt flanged housing units, cast iron, grub screws in inner ring, P seals, without relubrication facility

X-life

Technical information



Main Dimensions & Performance Data

d	25 mm	Bore diameter
L	71 mm	Flange width
H	97 mm	Height flange
U	29,4 mm	Total height unit
C_r	14.000 N	Basic dynamic load rating, radial
C_{0r}	7.800 N	Basic static load rating, radial
C_{ur}	335 N	Fatigue load limit, radial
	0,43 kg	Weight

Dimensions

A_1	19,5 mm	Thickness of flange
A_2	9,9 mm	Distance raceway
d_3	33 mm	Outside diameter eccentric locking collar

Mounting dimensions

J	76,2 mm	Distance fixing bore
J	76,2 mm	Pitch circle diameter (holes)
N	9 mm	Fixing bore
n	2	Number of screwing holes

Additional information

	1	Number of housings
	LCTE05	Housing
	AY25-XL-NPP-B	Bearing designation