



★ FLCTEY30-XL

Flanged housing unit

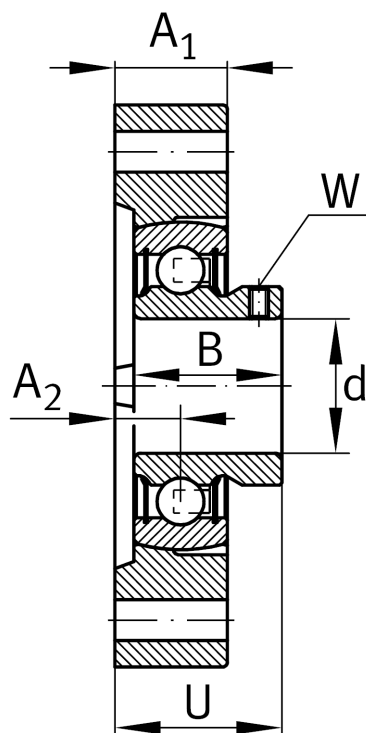
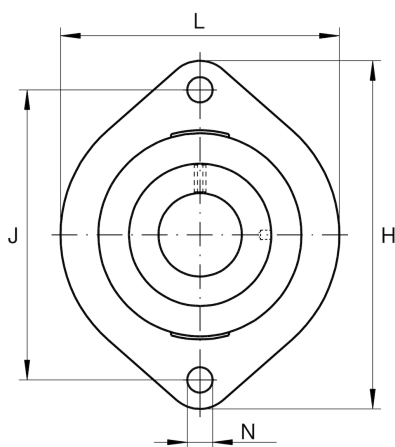
Schaeffler ID:
0008938700000

★ Preferred product

Housing units FLCTEY, two-bolt flanged housing units, cast iron, grub screws in inner ring, P seals, without relubrication facility

X-life

Technical information



Main Dimensions & Performance Data

d	30 mm	Bore diameter
L	84 mm	Flange width
H	112,5 mm	Height flange
U	32,4 mm	Total height unit
C_r	19.500 N	Basic dynamic load rating, radial
C_{0r}	11.300 N	Basic static load rating, radial
C_{ur}	480 N	Fatigue load limit, radial
	0,68 kg	Weight

Dimensions

A_1	22,5 mm	Thickness of flange
A_2	11,4 mm	Distance raceway
d_3	37,5 mm	Outside diameter eccentric locking collar

Mounting dimensions

J	90,5 mm	Distance fixing bore
J	90,5 mm	Pitch circle diameter (holes)
N	11,5 mm	Fixing bore
n	2	Number of screwing holes

Additional information

	1	Number of housings
	LCTE06	Housing
	AY30-XL-NPP-B	Bearing designation