



★ FLCTEY40-XL

Flanged housing unit

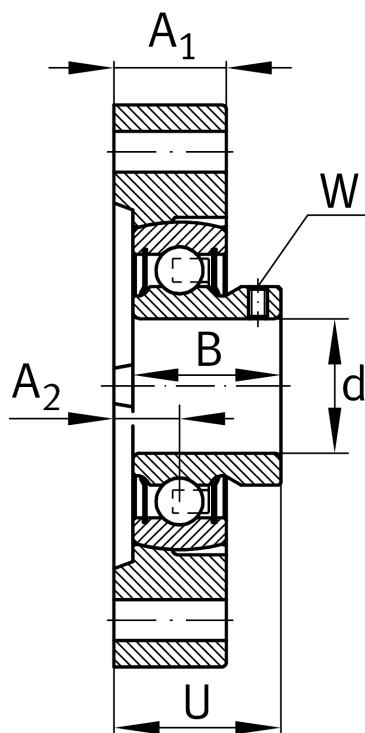
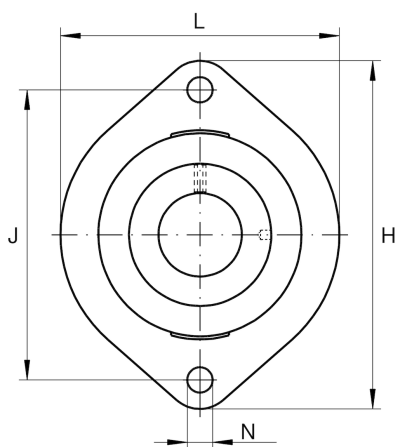
Schaeffler ID:
0009015200000

★ Preferred product

Housing units FLCTEY, two-bolt flanged housing units, cast iron, grub screws in inner ring, P seals, without relubrication facility

X-life

Technical information



Main Dimensions & Performance Data

d	40 mm	Bore diameter
L	100 mm	Flange width
H	150 mm	Height flange
U	42,5 mm	Total height unit
C_r	32.500 N	Basic dynamic load rating, radial
C_{0r}	19.800 N	Basic static load rating, radial
C_{ur}	910 N	Fatigue load limit, radial
	1,23 kg	Weight

Dimensions

A_1	24 mm	Thickness of flange
A_2	13,5 mm	Distance raceway
d_3	55 mm	Outside diameter eccentric locking collar

Mounting dimensions

J	119 mm	Distance fixing bore
J	119 mm	Pitch circle diameter (holes)
N	14 mm	Fixing bore
n	2	Number of screwing holes

Additional information

	1	Number of housings
	LCTE08	Housing
	AY40-XL-NPP-B	Bearing designation