



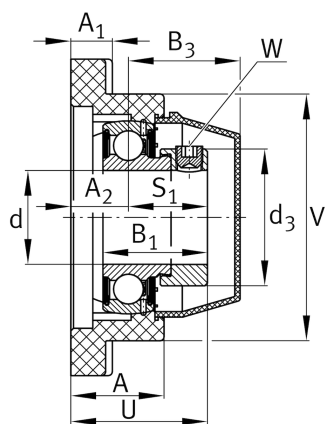
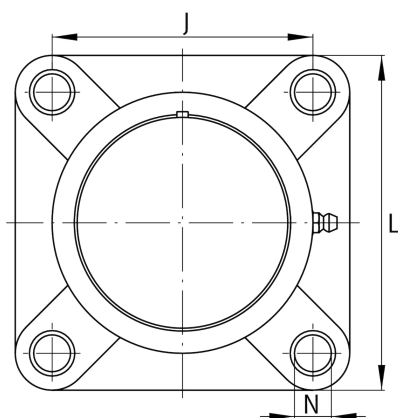
## PCJ45-TV-FA125.5

Flanged housing unit

Schaeffler ID:  
0573412810000

Flanged housing unit PCJ..-TV

### Technical information



### Main Dimensions & Performance Data

d	45 mm	Bore diameter
L	137 mm	Flange width
U	56,8 mm	Total height unit
$C_r$	32.500 N	Basic dynamic load rating, radial
$C_{0r}$	20.400 N	Basic static load rating, radial
$C_{0rG}$	19.300 N	Load carrying capacity (housing)
	1,2 kg	Weight

### Dimensions

A	41 mm	Height housing
	1	Number of housings
$A_1$	19 mm	Thickness of flange
$A_2$	24 mm	Distance raceway
	GEH.CJ09-TV-HLA	Housing
	GRAE45-NPP-B-FA107/125.5	Bearing designation
	KASK09-S-G	Protecting cap
V	105 mm	Shoulder diameter housing
Q	1/4-28 UNF	Connection thread lubrication
$d_3$	63 mm	Outside diameter eccentric locking collar

### Mounting dimensions

J	105 mm	Distance fixing bore
N	17 mm	Fixing bore
n	4	Number of screwing holes