



RPB30-XL

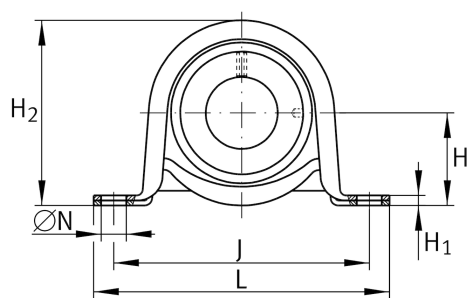
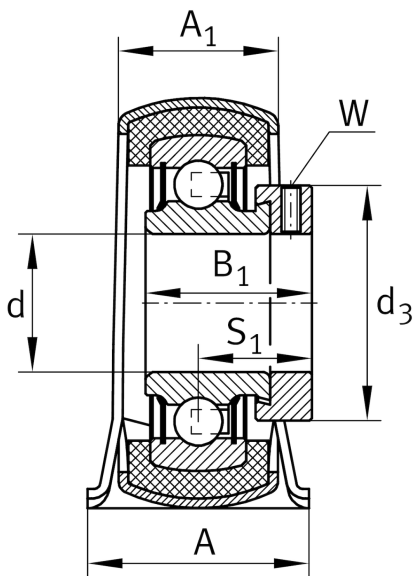
Plummer block housing unit

Schaeffler ID:
0008295790000

Plummer block housing units RPB, sheet steel housing, radial insert ball bearing with eccentric locking collar and rubber interliner, P seals

X-life

Technical information



Main Dimensions & Performance Data

| | | |
|-----------------------|--------------|---------------------------------------|
| d | 30 mm | Bore diameter |
| L | 117,5 mm | Length total |
| H ₂ | 66,1 mm | Height |
| C _{0rG} | 1.400 N | Load carrying capacity (housing) |
| C _r | 14.100 N | Basic dynamic load rating, radial |
| C _{0r} | 8.300 N | Basic static load rating, radial |
| n _{G Grease} | 15.700 1/min | Limiting speed for grease lubrication |
| | 0,4 kg | Weight |

Dimensions

| | | |
|----------------|-----------------|-------------------------------|
| H | 33,3 mm | Distance shaft axis |
| | GEH62-BT | Housing |
| | GRG.RABR55/62 | Rubber interliner designation |
| A | 38 mm | Width (base) |
| | RALE30-XL-NPP-B | Bearing designation |
| A ₁ | 26,5 mm | Width (head) |
| H ₁ | 4 mm | Height (base) |

Mounting dimensions

| | | |
|---|---------|----------------------|
| J | 95 mm | Distance fixing bore |
| N | 11.5 mm | Fixing bore |

Calculation factors

| | | |
|----------------|------|--------------------|
| f ₀ | 14,8 | Calculation factor |
|----------------|------|--------------------|