

## ★ KB25-PP

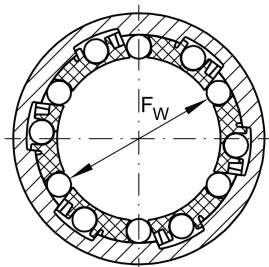
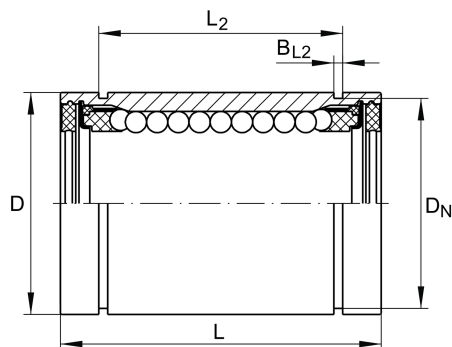
Linear ball bearing

Schaeffler ID:  
0012534920000

★ Preferred product

Linear ball bearings KB...PP, machined range, sealed on all sides, corrosion-resistant design possible

### Technical information



### Main Dimensions & Performance Data

$F_w$	25 mm	Bore diameter of ball complement
	+0,011/-0,001	Tolerance
$D$	40 mm	Outside diameter
	h5	Tolerance
$L$	58 mm	length
	h12	Tolerance
$C_{min}$	2.800 N	load capacity dyn.
$C_{0min}$	2.220 N	load capacity stat.
$C_{max}$	2.950 N	load capacity dyn.
$C_{0max}$	2.850 N	load capacity stat.
	0,158 kg	Weight

### Mounting dimensions

$L_2$	43,7 mm	
	H13	Tolerance
$B_{L2}$	1,85 mm	
$D_N$	37,5 mm	
$N_2$	2,5 mm	
	6	Number of rows balls