

★ KB40-PP

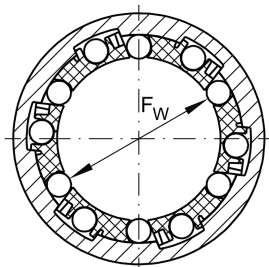
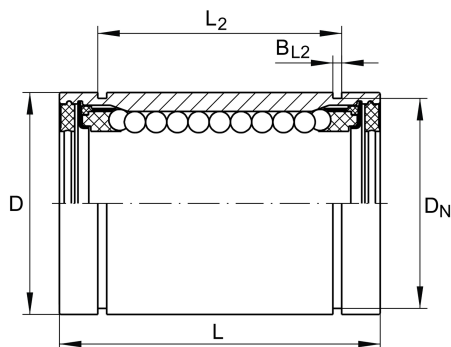
Linear ball bearing

Schaeffler ID:
0012757470000

★ Preferred product

Linear ball bearings KB...PP, machined range, sealed on all sides, corrosion-resistant design possible

Technical information



Main Dimensions & Performance Data

F_w	40 mm	Bore diameter of ball complement
	+0,013/-0,002	Tolerance
D	62 mm	Outside diameter
	h5	Tolerance
L	80 mm	length
	h12	Tolerance
C_{min}	6.000 N	load capacity dyn.
C_{0min}	4.400 N	load capacity stat.
C_{max}	6.400 N	load capacity dyn.
C_{0max}	5.600 N	load capacity stat.
	0,006 kg	Weight

Mounting dimensions

L_2	60,3 mm	
	H13	Tolerance
B_{L2}	2,15 mm	
D_N	59 mm	
N_2	3 mm	
	6	Number of rows balls