

## ★ KB40-PP-AS

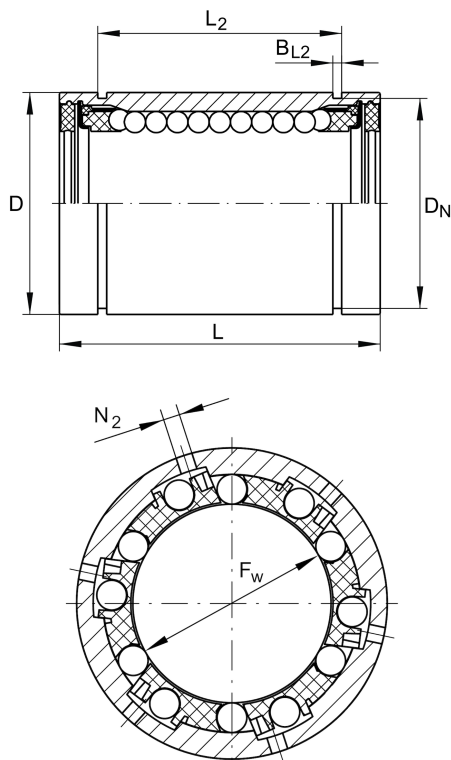
Linear ball bearing

Schaeffler ID:  
0015242080000

★ Preferred product

Linear ball bearings KB...PP-AS, machined range, sealed on all sides, with relubrication facility, corrosion-resistant design possible

### Technical information



### Main Dimensions & Performance Data

$F_w$	40 mm	Bore diameter of ball complement
	+0,013/-0,002	Tolerance
D	62 mm	Outside diameter
	h5	Tolerance
L	80 mm	length
	h12	Tolerance
$C_{min}$	6.000 N	load capacity dyn.
$C_{0min}$	4.400 N	load capacity stat.
$C_{max}$	6.400 N	load capacity dyn.
$C_{0max}$	5.600 N	load capacity stat.
	0,599 kg	Weight

### Mounting dimensions

$L_2$	60,3 mm	
	H13	Tolerance
$B_{L2}$	2,15 mm	
$D_N$	59 mm	
$N_2$	3 mm	
	6	Number of rows balls