

★ KB50-PP-AS

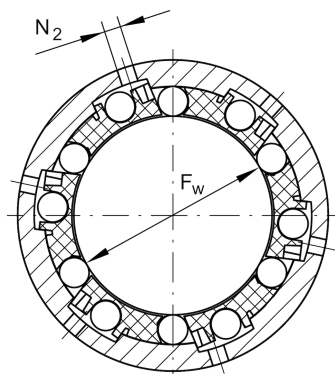
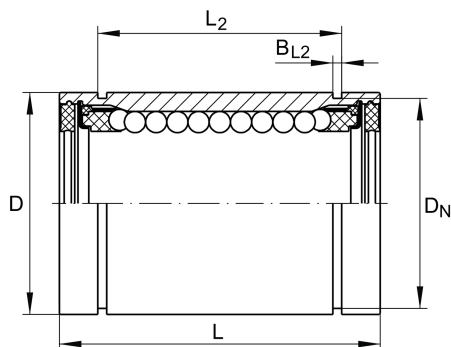
Linear ball bearing

Schaeffler ID:
0015246900000

★ Preferred product

Linear ball bearings KB...PP-AS, machined range, sealed on all sides, with relubrication facility, corrosion-resistant design possible

Technical information



Main Dimensions & Performance Data

F_w	50 mm	Bore diameter of ball complement
	+0,013/-0,002	Tolerance
D	75 mm	Outside diameter
	h5	Tolerance
L	100 mm	length
	h12	Tolerance
C_{min}	8.700 N	load capacity dyn.
C_{0min}	6.300 N	load capacity stat.
C_{max}	9.200 N	load capacity dyn.
C_{0max}	8.000 N	load capacity stat.
	0,97 kg	Weight

Mounting dimensions

L_2	77,3 mm	
	H13	Tolerance
B_{L2}	2,65 mm	
D_N	72 mm	
N_2	4 mm	
	6	Number of rows balls