

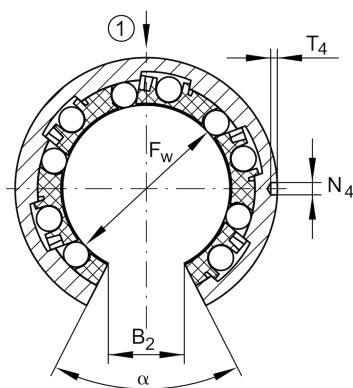
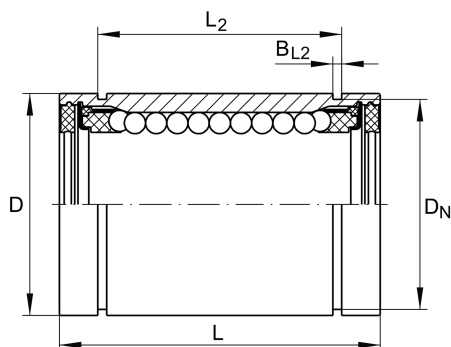
## KBO20-PP

### Linear ball bearing

Schaeffler ID:  
0012757040000

Linear ball bearings KBO...-PP, machined range, open design, sealed on all sides, corrosion-resistant design possible

## Technical information



### Main Dimensions & Performance Data

$F_w$	20 mm	Bore diameter of ball complement
$D$	32 mm	Outside diameter
$L$	45 mm	length
	h12	Tolerance
$C_{max}$	1.600 N	load capacity dyn.
$C_{0max}$	1.280 N	load capacity stat.
	77,64 g	Weight

### Mounting dimensions

$B_2$	10 mm	Width of sector opening
$L_2$	31,2 mm	
	H13	Tolerance
$B_{L2}$	1,6 mm	
$D_N$	30,3 mm	
$T_4$	1,2 mm	
$N_4$	2,2 mm	
$N_2$	2 mm	
$\alpha$	60 °	Angle of sector opening
$\beta$	52 °	
	5	Number of rows balls