

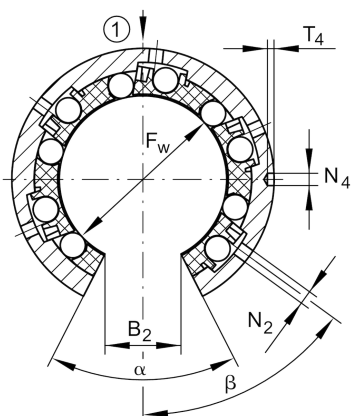
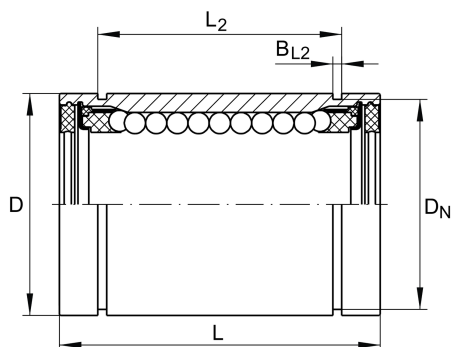
KBO20-PP-AS

Linear ball bearing

Schaeffler ID:
0015217480000

Linear ball bearings KBO..-PP-AS, machined range, open design, sealed on all sides, with relubrication facility, corrosion-resistant design possible

Technical information



Main Dimensions & Performance Data

F_w	20 mm	Bore diameter of ball complement
D	32 mm	Outside diameter
L	45 mm	length
	h12	Tolerance
C_{max}	1.600 N	load capacity dyn.
C_{0max}	1.280 N	load capacity stat.
	74,21 g	Weight

Mounting dimensions

B_2	10 mm	Width of sector opening
L_2	31,2 mm	
	H13	Tolerance
B_{L2}	1,6 mm	
D_N	30,3 mm	
T_4	1,2 mm	
N_4	2,2 mm	
N_2	2 mm	
α	60 °	Angle of sector opening
β	52 °	
	5	Number of rows balls