

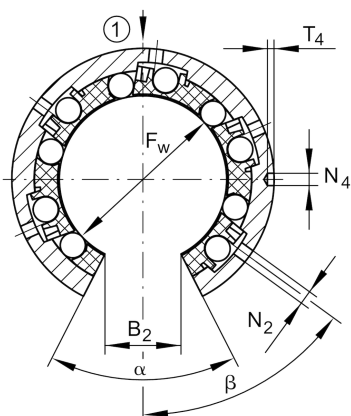
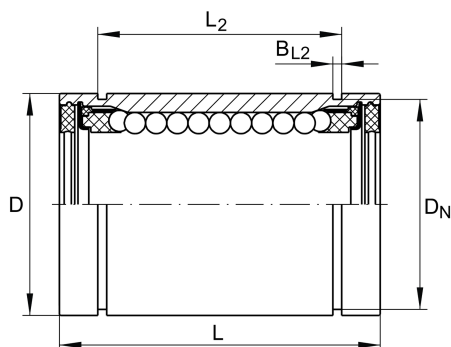
KBO30-PP-AS

Linear ball bearing

Schaeffler ID:
0015241000000

Linear ball bearings KBO..-PP-AS, machined range, open design, sealed on all sides, with relubrication facility, corrosion-resistant design possible

Technical information



Main Dimensions & Performance Data

F_w	30 mm	Bore diameter of ball complement
D	47 mm	Outside diameter
L	68 mm	length
	h12	Tolerance
C_{max}	3.700 N	load capacity dyn.
C_{0max}	3.000 N	load capacity stat.
	0,256 kg	Weight

Mounting dimensions

B_2	13,6 mm	Width of sector opening
L_2	51,7 mm	
	H13	Tolerance
B_{L2}	1,85 mm	
D_N	44,5 mm	
T_4	1,5 mm	
N_4	3 mm	
N_2	2,5 mm	
α	54 °	Angle of sector opening
β	55 °	
	5	Number of rows balls