

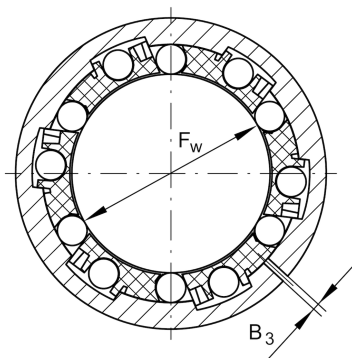
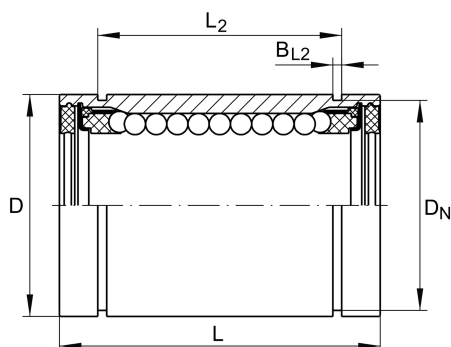
KBS20-PP

Linear ball bearing

Schaeffler ID:
0012756820000

Linear ball bearings KBS...-PP, machined range, adjustable, sealed on all sides, corrosion-resistant design possible

Technical information



Main Dimensions & Performance Data

F_w	20 mm	Bore diameter of ball complement
D	32 mm	Outside diameter
L	45 mm	length
	h12	Tolerance
C_{min}	1.570 N	load capacity dyn.
$C_{0 min}$	1.230 N	load capacity stat.
C_{max}	1.660 N	load capacity dyn.
$C_{0 max}$	1.570 N	load capacity stat.
	87,02 g	Weight

Mounting dimensions

L_2	31,2 mm	
	H13	Tolerance
B_{L2}	1,6 mm	
B_3	1 mm	
D_N	30,3 mm	
N_2	2 mm	
X	62,5 °	
	6	Number of rows balls